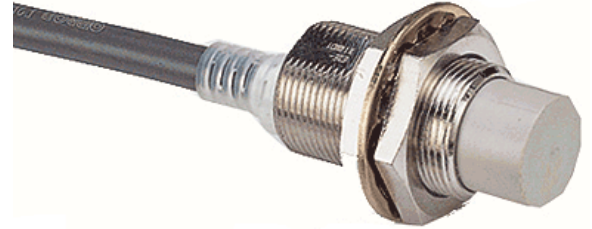


CMCP 240 Proximity Speed Sensor Installation Instructions

Features

- Short Barrel
- 3-Wire Hookup
- Meets IP670
- Thick nickel-plated brass barrel
- Wrench flats for easy installation
- Solid potted internal circuitry
- Withstands shocks and water
- High visibility indicator



Mounting

- Do not tighten the nut with excessive force
- A washer must be used with the nut
- Suggested rating is 30 NxM
- Do not subject to excessive shock with a hammer during installation
- Do not mount under water

Installation

- Sensor is ready to operate within 100 ms after power is supplied
- Sensor may output a pulse signal when it is turned off
- Do not use a DC power supply with an auto-transformer

Sensing Object

- Sensing distances may vary with the metal coating on sensing objects

Wiring

- If there is a power or high-tension line near the cable of the sensor, wire the cable through an independent metal conduit to prevent against sensor damage / malfunction

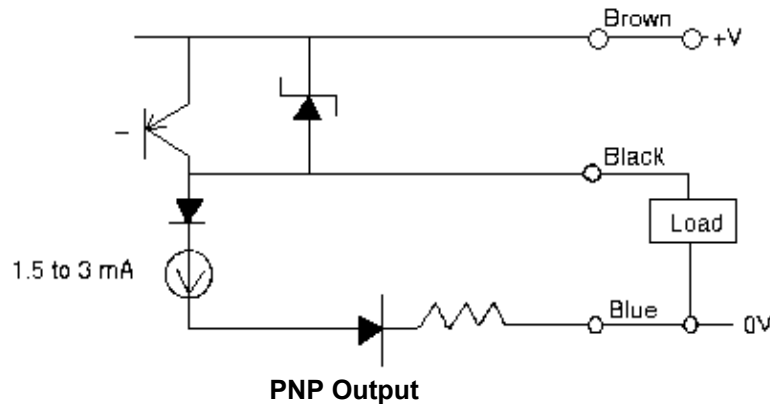
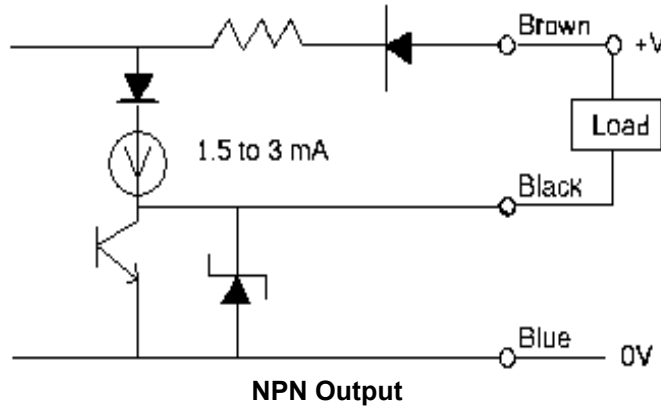
Size	M12
Type	Shielded
Sensing Distance	2 mm +/- 10%
Supply Voltage	12 to 24 VDC
Current Consumption	13 mA max
Circuit Protection	Reverse Connection, Surge Absorber, Short-Circuit
Operating Temperature	-40 Deg. C to 85 Deg. C, 95% RH
Enclosure Rating	IP67, NEMA 1,4,6,12, 13
Body Material	Stainless Steel
Face Material	PBT
Contact Type	No
Amplifier Type	Self-contained
Output Type	NPN or PNP
Connection	Pre-wired
Shielded / Unshielded	Shielded
Response Frequency	1.5 kHz

Ordering Information:

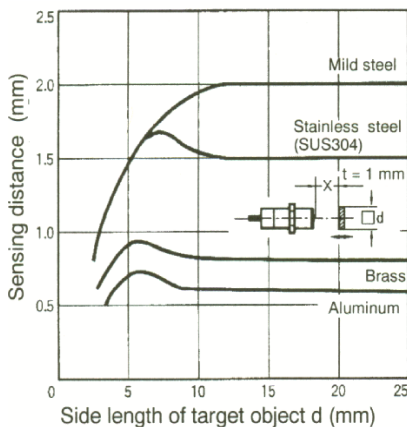
Part No.	-XXX	-XX	Description
CMCP240	-NPN		NPN Output (Standard)
		-PNP	PNP Output
			-00 Without Mounting Bracket
			-01 With Mounting Bracket

CMCP 240 Proximity Speed Sensor Installation Instructions

Output Circuits

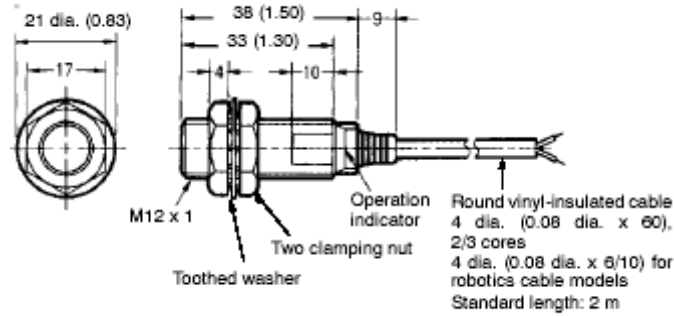


Sensing Distance Vs. Sensing Object



CMCP 240 Proximity Speed Sensor Installation Instructions

Dimensions



Mounting Clearance Dimensions

