



Sales Technology Inc

Condition Monitoring Custom Products
"Vibration Monitoring and Machine Protection Systems"

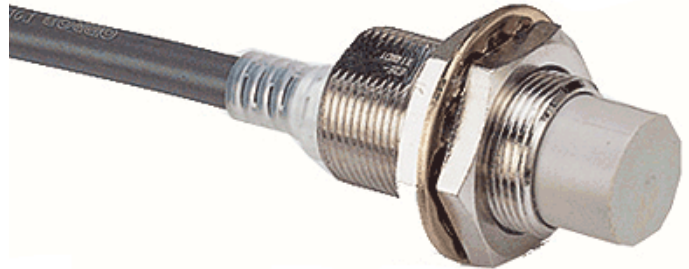
2911 S. Shore Blvd., Ste. 170, League City, TX 77573 Phone: 281.334.0766 Fax: 281.334.4255

Condition Monitoring Custom Products

CMCP240 Proximity Switch

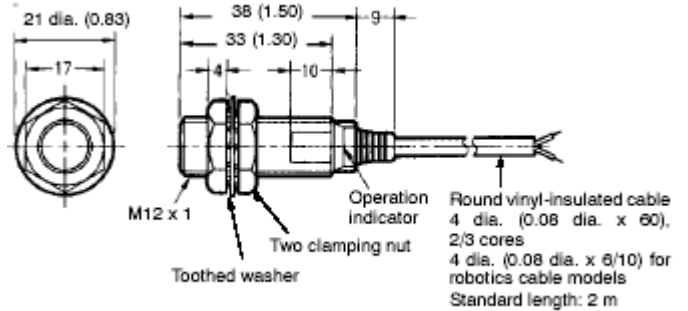
Features:

- Short Barrel
- 3-Wire Hookup
- Meets IP670
- Thick nickel-plated brass barrel
- Wrench flats for easy installation
- Solid potted internal circuitry
- Withstands shocks and water
- High visibility indicator
- Integral 2 Meter Cable



Specifications:

Supply Voltage	12 to 24 VDC
Sensor Body Style	Metal Cylindrical
Barrel Size	M12
Target Material	Ferrous
Sensing Distance	1.5 mm
Contact Type	No
Amplifier Type	Self-contained
Output Type	NPN or PNP
Connection	Pre-wired
Shielded / Unshielded	Shielded
Response Frequency	1.5 kHz



Ordering Information:

Part No.	-XXX	-XX	Description
CMCP240	-NPN		NPN Output (Standard)
			PNP Output
	-PNP	-00	Without Mounting Bracket
		-01	With Mounting Bracket

Although care has been taken to assure the accuracy of the data compiled in this publication, Sales Technology, Inc. (STI) does not assume any liability for errors or omissions. STI reserves the right to alter any part of this publication without prior notice.

Copyright © 1999-2001 by Sales Technology, Inc. (5/3/01)

ALL RIGHTS RESERVED

Your STI Sales Representative:

www.stiweb.com