

**CMCP-DVS-PS**

24 VDC Power Supply for Hazardous Areas

**Features**

- Universal Power Supply
- 24 VDC Output, 200 mA (5 Watt)
- 85 to 305 VAC Input or
- 100 to 430 VDC Input
- Load Regulation, +/-1%
- FM Class 1, Division 1, Group B, C, D Approved
- High Ingress Protection (IP68)
- Highly Reliable (MTBF 2.6 million Hours)
- Internal Green LED-On Light
- Automatic Fuse Reset
- Protection from high Voltage Spikes (MOV and TVS)
- Temperature Range -40 to 185 °F (-40 to 85 °C)

Typical Applications

Power for up to 4x CMCP-DVS-EX or CMCP-DVS-GP Digital Vibration Switches (at 50 mA Max each) or other 24 VDC devices.

Description

The CMCP-DVS-PS 24 VDC Power Supply was designed to power one or more CMCP-DVS Digital Vibration Switches in hazardous areas and for general purpose applications. With a wide range of input power and approvals it can be mounted when AC power (85 to 305 VAC) or DC power (100 to 430 VDC) is available. With a 200 mA (5 watt), 24 VDC output it may also be used to power other devices that require 24 VDC. The enclosure window allows the Green "On" Light to be visible externally to quickly verify operation. The built-in fuse resets automatically when an overload is removed. The device simplifies the installation of Digital Vibration Switches, and the Input and Output terminals are pluggable to make wiring easier.

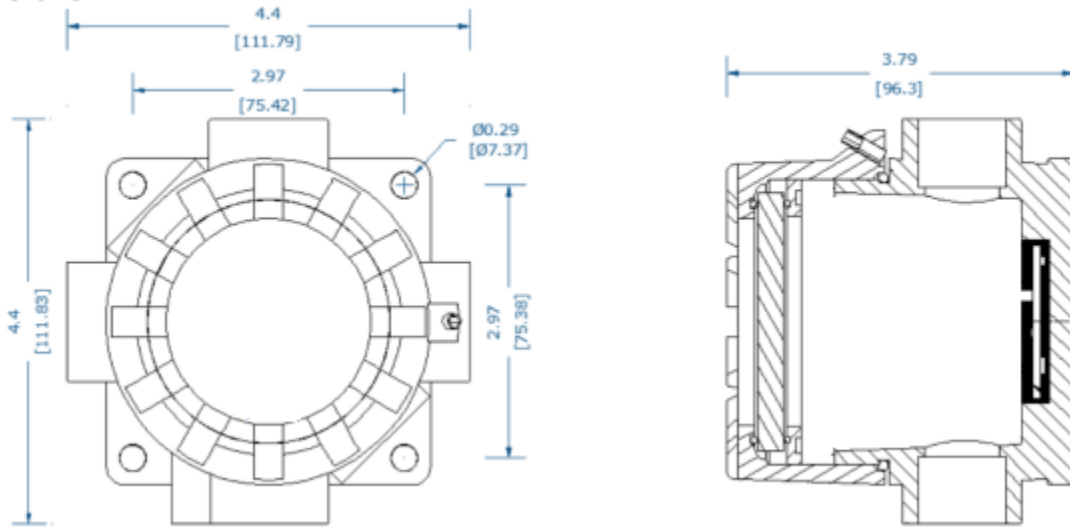
Technical Specifications

Input:	85 to 305 VAC, 47 to 63 Hz, 0.13 Amp
Output:	85 to 305 VDC, 0.07 Amp 24 VDC ±2%, 200 mA Less than 100 mV Ripple
Dimensions:	4.4" x 4.4" x 3.79" (111.75 x 117.5 x 96.3 mm) 3x ½" NPT Female Inlets, each
Mean Time Between Failure (MTBF):	2.6 million Hours

Protection

Surge Protection:	Metal Oxide Varistor (MOV) and Transient Voltage Suppression (TVS diode)
Over Current Protection:	Auto Recovery, 130%
Short Circuit Protection:	Continuous, Auto Recovery, Hiccup

Dimensions:



Ordering Information

Part ID: CMCP-DVS-PS

Note: Cable glands are not provided



Related Products



CMCP-DVS-EX
Digital Vibration Switch,
Explosion Proof



CMCP-DVS-GP
Digital Vibration Switch,
General Purpose