

## CMCP262 Series Breakthrough Style Cord Grips



### Features:

- Multi-Cable Cord Grip
- Rated IP68 for Protection from Water Immersion
- UL, C-UL and CSA Certified
- Accepts Up to 9 or 13 Cables
- -20 to 210°F (-20 to 100°C) Temperature Range
- Standard NPT Knockout Sizes for Easy Field Installation
- Nylon Body with Zinc Plated Steel Nut

### Product Overview

Save space and have fewer cutouts in your enclosure by running more than one cord through a single cord grip. Break-Through Cord Grips have a thin, flexible seal that covers the holes until you push cord through them. Made of black nylon and include a zinc-plated steel locknut. Temperature range is -20° to 210° F. Rated IP68 for protection from water submersion. The CMCP262 Series Cord Grips are UL listed and CSA certified

### Specifications:

|                            |   |
|----------------------------|---|
| <b>Material:</b>           | Nylon Cord Grip with Zinc Plated Steel Washer   |
| <b>IP Rating:</b>          | IP68<br>Suitable for Continuous Immersion in Water Beyond 1 Meter<br>Protected from Ingress of Dust |
| <b>Temperature Range:</b>  | -20 to 210°F (-20 to 100°C)   |
| <b>For Cable Diameter:</b> | 0.17" to 0.22" (4.3 to 5.58mm)  |

### Cable Inputs:

| Part ID     | Maximum Cables Allowed |
|-------------|------------------------|
| CMCP262-01: | 5                      |
| CMCP262-02: | 9                      |
| CMCP262-03: | 13                     |
| CMCP262-04: | 21                     |

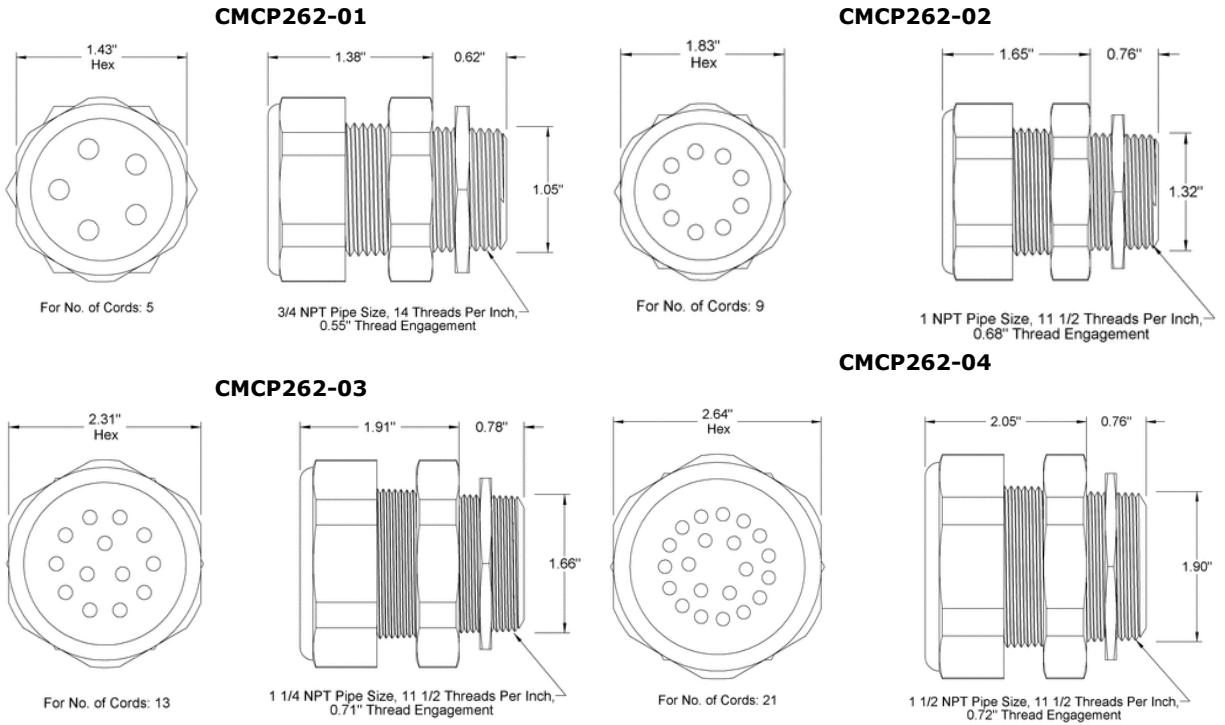
### Knock Out Size:

| Cord Grip   | NPT Size  | Drill Size |
|-------------|-----------|------------|
| CMCP262-01: | 0.75" NPT | 1.05"      |
| CMCP262-02: | 1.00" NPT | 1.32"      |
| CMCP262-03: | 1.25" NPT | 1.66"      |
| CMCP262-04: | 1.50" NPT | 1.90"      |

### Ordering Guide

| CMCP262 | -XX | Description                |
|---------|-----|----------------------------|
|         | -01 | Up to 5 Cables, 0.75" NPT  |
|         | -02 | Up to 9 Cables, 1.00" NPT  |
|         | -03 | Up to 13 Cables, 1.25" NPT |
|         | -04 | Up to 21 Cables, 1.50" NPT |

## Dimensions:



## Installation:

1. Drill or Knockout Opening in Enclosure According to Size Chart
2. Insert Cord Grip, Secure with Nut Inside Enclosure
3. Loosen Seal
4. Firmly press the end of the cable into one of the indentations until the cable goes through the seal.
5. Repeat step 4 any remaining cable.
6. Tighten the seal nut until the cables are compressed and cannot be pulled in or out freely by hand.