



Condition Monitoring Custom Products

CMCP770A Compact Top Exit Accelerometer, 2 Pin MS 5015



Features:

- Compact Top Exit Accelerometer
- 100mV/g $\pm 10\%$ (Standard, Others Available)
- 2 Pin MS 5015 Connector
- Class 1 Division 2 Approved
- Class 1 Division 1 Approved with IS Barrier or Isolator
- -67 to +266°F (-55 to +130°C) Extended Temperature Range
- $\pm 80g$ Range
- 1/4"-28 UNF Mounting Stud Included (Adapters Available)
- Sealed to IP68

Typical Applications

Fans, Motors, Pumps, Compressors, Centrifuges, Conveyors, Air Handlers, Gearboxes, Rolls, Dryers, Presses, Cooling, HVAC, Spindles, Machine Tooling, Process Equipment and many more.

Technical Performance

Mounted Base Resonance: 28 kHz (nominal)
 Sensitivity: 100mV/g $\pm 10\%$ Nominal 80Hz at 22°C
 Frequency Response: 2 Hz to 14 kHz $\pm 5\%$ (120 cpm to 840k cpm)
 1.5 Hz to 16 kHz $\pm 10\%$ (90 cpm to 960k cpm)
 0.8 Hz to 19 kHz $\pm 3dB$ (48 cpm to 1,140k cpm)

Isolation: Base Isolated
 Measurement Range: $\pm 80 g$
 Transverse Sensitivity: Less than 5%

Electrical

Electrical Noise: 0.1mg max
 Current Range: 0.5mA to 8mA
 Bias Voltage: 10-12 Vdc
 Settling Time: 1 Second
 Output Impedance: 200 Ohms max.
 Case Isolation: $>10^8$ Ohms at 500 Volts

Environmental

Operating Temperature Range: -67 to 266°F (-55 to 130°C)
 Sealing: IP68 / Hermetically Sealed
 Maximum Shock: 5000 g
 Approvals: CE Approved
 CSA/UL Class 1 Division 2, Groups B, C and D

Mechanical

Case Material: Stainless Steel
 Sensing Element: PZT/Shear
 Mounting Torque: 5.9ft. lbs (8Nm)
 Weight: 1.8 Oz (52 grams)
 Mounting: 1/4"-28 UNF Mounting Stud (Supplied with Sensor)
 Adapters Available, See CMCP237 (Metric) and CMCP238 (Imperial) Series
 Mating Connector: 2 Pin MIL 5015 MS Connector

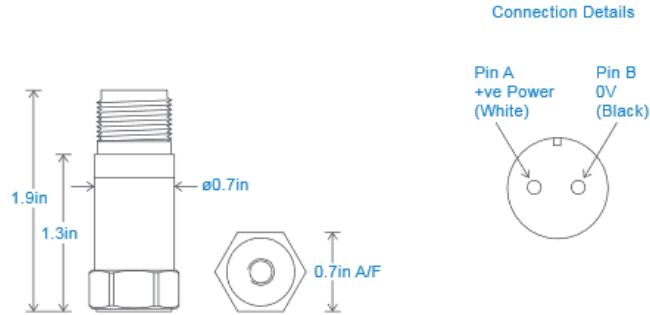
Hazardous Location Ratings

Class I, II, III, Division 1 and 2, Groups A-G, T4, -55°C to + 110°C IP65
Class 1, Zone 0, AEx, ia, IIC, T4, Ga, -55°C to + 110°C
Zone 20, AEx, ia, IIIC, T130°C, IP65, Da, -55°C to + 110°C
Class I, II, III, Division 1, 2, Groups A-G, T6, -55°C to + 110°C
Zone 20, AEx, ia, IIIX, T80°C, IP65, DA, -55°C to + 110°C

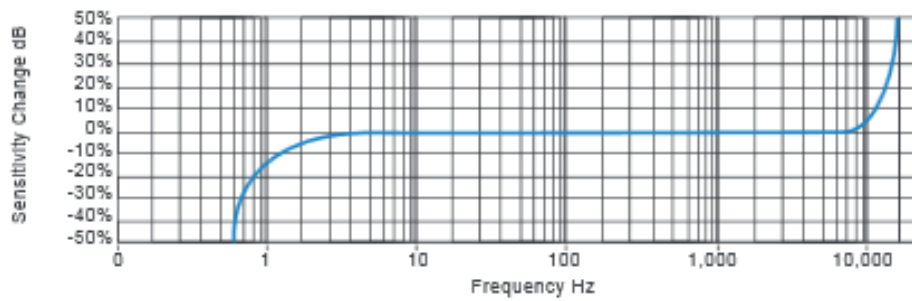
Optional Modifications

Non-Stocked Sensitivities: 50mV/g (-050), 250mV/g (-250) and 500mV/g (-500)
Sensitivity specified after base part number (ex. CMCP770A-500)

Dimensions



Typical Frequency Response (at 100mV/g)



Ordering Information:

CMCP770A Compact Accelerometer, Top Exit, 100mV/g with 2 Pin MS 5015

Alternative Sensitivity Ordering Information:

CMCP770A-XXX Specify Sensitivity in Place of -XXX
50mV/g (-050), 250mV/g (-250) and 500mV/g (-500)

Similar Products:



CMCP780A

Compact Side Exit Accelerometer