

CMCP780A Compact Side Exit Accelerometer, 2 Pin MS 5015



Features:

- Compact Side Exit Accelerometer
- 100mV/g $\pm 10\%$ (Standard, Others Available)
- 2 Pin MS 5015 Connector
- Class 1 Division 2 Approved
- Class 1 Division 1 Approved with IS Barrier or Isolator
- -67 to +266°F (-55 to +130°C) Extended Temperature Range
- $\pm 80g$ Range
- 1/4"-28 UNF Mounting Bolt
- Sealed to IP68

Typical Applications

Fans, Motors, Pumps, Compressors, Centrifuges, Conveyors, Air Handlers, Gearboxes, Rolls, Dryers, Presses, Cooling, HVAC, Spindles, Machine Tooling, Process Equipment and many more.

Technical Performance

Mounted Base Resonance:	28 kHz (nominal)
Sensitivity:	100mV/g $\pm 10\%$ Nominal 80Hz at 22°C
Frequency Response:	2 Hz to 14 kHz $\pm 5\%$ (120 cpm to 840k cpm) 1.5 Hz to 16 kHz $\pm 10\%$ (90 cpm to 960k cpm) 0.8 Hz to 19 kHz $\pm 3dB$ (48 cpm to 1,140k cpm)
Isolation:	Base Isolated
Measurement Range:	$\pm 80 g$
Transverse Sensitivity:	Less than 5%

Electrical

Electrical Noise:	0.1mg max
Current Range:	0.5mA to 8mA
Bias Voltage:	10-12 Vdc
Settling Time:	1 Second
Output Impedance:	200 Ohms max.
Case Isolation:	$>10^8$ Ohms at 500 Volts

Environmental

Operating Temperature Range:	-67 to 266°F (-55 to 130°C)
Sealing:	IP68 / Hermetically Sealed
Maximum Shock:	5000 g
Approvals:	CE Approved CSA/UL Class 1 Division 2, Groups B, C and D

Mechanical

Case Material:	Stainless Steel
Sensing Element:	PZT/Shear
Mounting Torque:	5.9ft. lbs (8Nm)
Weight:	4.7 Oz (135 grams)
Mounting:	1/4"-28 UNF Hex Bolt (Supplied with Sensor)
Mating Connector:	2 Pin MIL 5015 MS Connector

Hazardous Location Ratings

Class I, II, III, Division 1 and 2, Groups A-G, T4, -55°C to + 110°C IP65

Class 1, Zone 0, AEx, ia, IIC, T4, Ga, -55°C to + 110°C

Zone 20, AEx, ia, IIIC, T130°C, IP65, Da, -55°C to + 110°C

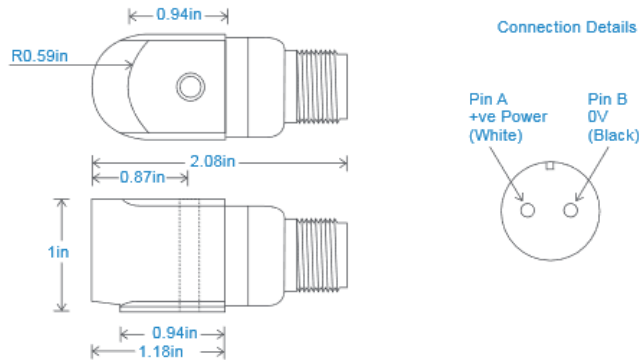
Class I, II, III, Division 1, 2, Groups A-G, T6, -55°C to + 110°C

Zone 20, AEx, ia, IIIX, T80°C, IP65, DA, -55°C to + 110°C

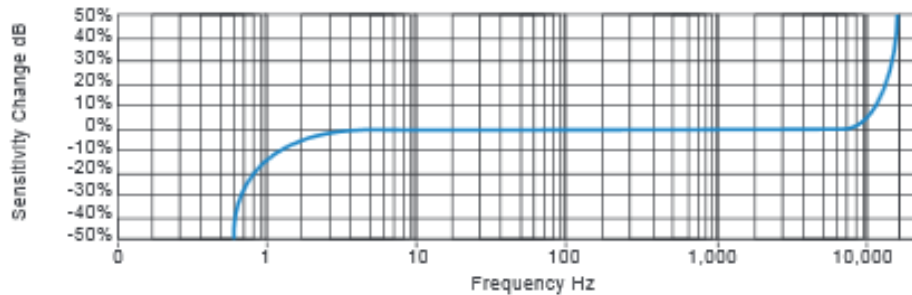
Optional Modifications

Non-Stocked Sensitivities: 50mV/g (-050), 250mV/g (-250) and 500mV/g (-500)
Sensitivity specified after base part number (ex. CMCP780A-500)

Dimensions



Typical Frequency Response (at 100mV/g)



Ordering Information:

CMCP780A Compact Accelerometer, Side Exit, 100mV/g with 2 Pin MS 5015

Alternative Sensitivity Ordering Information:

CMCP780A-XXX Specify Sensitivity in Place of -XXX
50mV/g (-050), 250mV/g (-250) and 500mV/g (-500)

Similar Products:



CMCP770A
Compact Top Exit Accelerometer