

CMCP788A

Precision Output Top Exit Accelerometer, 2 Pin MS 5015



Features:

- Precision Output Top Exit Accelerometer
- 100mV/g $\pm 5\%$ (Standard, Others Available)
- 2 Pin MS 5015 Connector
- Class 1 Division 2 Approved
- Class 1 Division 1 Approved with IS Barrier or Isolator
- -67 to +284°F (-55 to +140°C) Extended Temperature Range
- $\pm 80g$ Range
- 1/4"-28 UNF Mounting Stud Included (Adapters Available)
- Sealed to IP68



Typical Applications

Fans, Motors, Pumps, Compressors, Centrifuges, Conveyors, Air Handlers, Gearboxes, Rolls, Dryers, Presses, Cooling, HVAC, Spindles, Machine Tooling, Process Equipment and many more.

Technical Performance

Mounted Base Resonance:	22 kHz (nominal)
Sensitivity:	100mV/g $\pm 5\%$ Nominal 80Hz at 22 C
Frequency Response:	2 Hz to 10 kHz $\pm 5\%$ (120 cpm to 600k cpm) 1.5 Hz to 12 kHz $\pm 10\%$ (90 cpm to 720k cpm) 0.8 Hz to 15 kHz $\pm 3dB$ (48 cpm to 900k cpm)
Isolation:	Base Isolated
Measurement Range:	$\pm 80 g$
Transverse Sensitivity:	Less than 5%

Electrical

Electrical Noise:	0.1mg max
Current Range:	0.5mA to 8mA
Bias Voltage:	10-12 Vdc
Settling Time:	1 Second
Output Impedance:	200 Ohms max.
Case Isolation:	$>10^8$ Ohms at 500 Volts

Environmental

Operating Temperature Range:	-67 to 284°F (-55 to 140 C)
Sealing:	IP68
Maximum Shock:	5000 g
Approvals:	CE Approved CSA/UL Class 1 Division 2, Groups B, C and D

Mechanical

Case Material:	Stainless Steel
Sensing Element:	PZT/Shear
Mounting Torque:	5.9ft. lbs (8Nm)
Weight:	4.9 Oz (139 grams)
Mounting:	1/4"-28 UNF Mounting Stud (Supplied with Sensor) Adapters Available, See CMCP237 (Metric) and CMCP238 (Imperial) Series
Mating Connector:	2 Pin MIL 5015 MS Connector

Hazardous Location Ratings

Class I, II, III, Division 1 and 2, Groups A-G, T4, -55°C to + 110°C IP65

Class 1, Zone 0, AEx, ia, IIC, T4, Ga, -55°C to + 110°C

Zone 20, AEx, ia, IIIC, T130°C, IP65, Da, -55°C to + 110°C

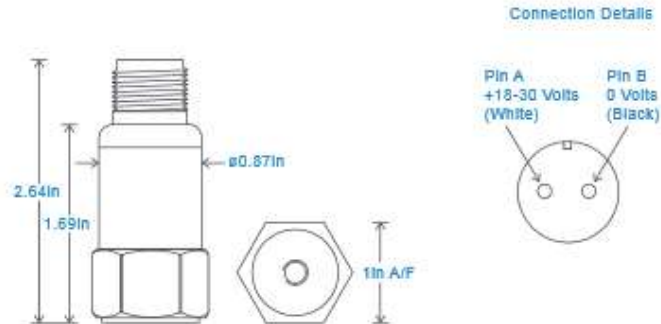
Class I, II, III, Division 1, 2, Groups A-G, T6, -55°C to + 110°C

Zone 20, AEx, ia, IIIX, T80°C, IP65, DA, -55°C to + 110°C

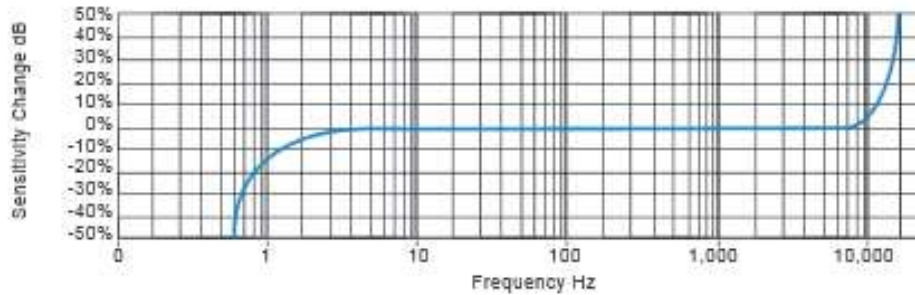
Optional Modifications

Non-Stocked Sensitivities: 50mV/g (-050), 250mV/g (-250) and 500mV/g (-500)
Sensitivity specified after base part number (ex. CMCP788A-500)

Dimensions



Typical Frequency Response (at 100mV/g)



Ordering Information:

CMCP788A Precision Output Accelerometer Top Exit, 100mV/g with 2 Pin MS 5015

Alternative Sensitivity Ordering Information:

CMCP788A-XXX Specify Sensitivity in Place of -XXX
50mV/g (-050), 250mV/g (-250) and 500mV/g (-500)

Similar Products:



CMCP788A-I
Integral Armored Cable



CMCP788A-M12
M12 Eurofast Connector