



CMCP788T Premium Dual Output Top Entry Accelerometer with Temperature and 3 Pin MS 5015



Features

- Dual Output Precision Accelerometer with Temperature
- 100 mV/g $\pm 15\%$ and 10 mV/ $^{\circ}\text{C}$
- 150 $^{\circ}\text{C}$ Max Temperature Range
- ± 80 g Dynamic Range
- 3 Pin MS 5015 Connector
- Class 1 Division 2 Approved
- Class 1 Division 1 Approved with IS Barrier or Isolator
- $\frac{1}{4}$ "-28 UNF and M8x1.25 Mounting Studs Included
- Sealed to IP68



Typical Applications

Fans, Motors, Pumps, Compressors, Centrifuges, Conveyors, Air Handlers, Gearboxes, Rolls, Dryers, Presses, Cooling, HVAC, Spindles, Machine Tooling, Process Equipment and many more.

Technical Performance

Mounted Base Resonance:	30 kHz (nominal)
Sensitivity (Acceleration):	100 mV/g $\pm 10\%$ Nominal 80 Hz at 22 $^{\circ}\text{C}$
Sensitivity (Temperature):	10 mV/ $^{\circ}\text{C}$ (0-100 $^{\circ}\text{C}$ Range)
Frequency Response:	1.5 Hz to 10 kHz $\pm 5\%$ (90 cpm to 600 kcpm) 0.5 Hz to 12 kHz $\pm 10\%$ (30 cpm to 720 kcpm) 0.2 Hz to 15 kHz $\pm 3\text{dB}$ (12 cpm to 900 kcpm)
Isolation:	Base Isolated
Measurement Range:	± 80 g
Transverse Sensitivity:	Less than 5%

Electrical

Supply Voltage:	18-30 VDC
Current Range:	0.5 to 8 mA
Bias Voltage:	10-12 VDC
Electrical Noise:	0.1 mg Max.
Settling Time:	1 Second
Output Impedance:	200 Ohm Max.
Case Isolation:	$>10^8$ Ohm at 500 Volt

Environmental

Operating Temperature Range:	-67 to 302 $^{\circ}\text{F}$ (-55 to 150 $^{\circ}\text{C}$)
Sealing:	IP68
Maximum Shock:	5000 g
Approvals:	CE and UKCA Approved CSA/UL Class 1 Division 2, Groups B, C and D

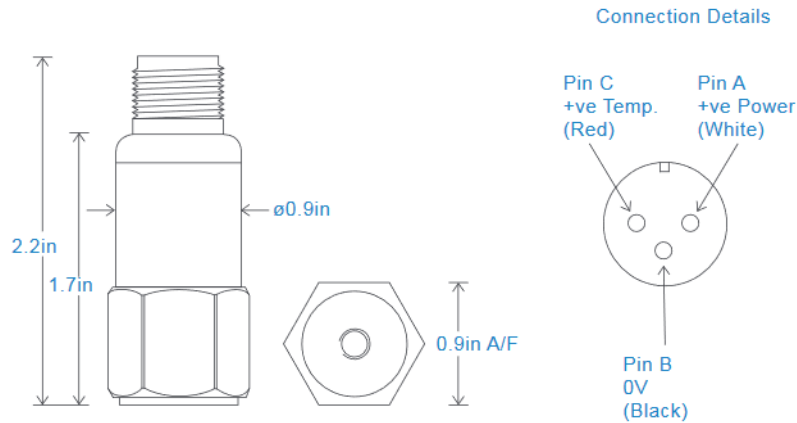
Mechanical

Case Material:	Stainless Steel
Sensing Element/Construction:	PZT/Shear
Mounting Torque:	5.9 ft-lbs (8 Nm)
Weight:	4.9 Oz (139 gram)
Mating Connector:	2 Pin MS 5015
Recommended Cable Assembly:	CMCP603H Series
Mounting Thread:	$\frac{1}{4}$ "-28 UNF Female $\frac{1}{4}$ "-28 UNF and M8x1.25 Mounting Studs Provided

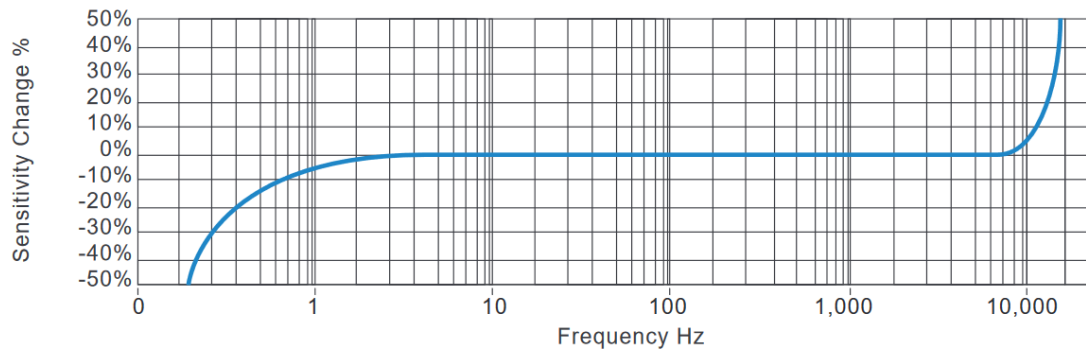
Hazardous Location Ratings

Class I, II, III, Division 1 and 2, Groups A-G, T4, -55°C to +110°C IP65
 Class 1, Zone 0, AEx, ia, IIC, T4, Ga, -55°C to +110°C
 Zone 20, AEx, ia, IIIC, T130°C, IP65, Da, -55°C to +110°C
 Class I, II, III, Division 1, 2, Groups A-G, T6, -55°C to +110°C
 Zone 20, AEx, ia, IIIX, T80°C, IP65, DA, -55°C to +110°C

Dimensions



Typical Frequency Response



Ordering Information

CMCP788T Premium Dual Output Accelerometer with Temperature, Top Entry, 3 Pin MS Connector

Alternative Sensitivity Ordering Information

Part Number	Sensitivity	Measurement Range	Base Resonance
CMCP788T-10	10 mV/g	±800 g	34 kHz
CMCP788T-30	30 mV/g	±250 g	33 kHz
CMCP788T-50	50 mV/g	±160 g	32 kHz
CMCP788T-250	250 mV/g	±32 g	28 kHz
CMCP788T-500	500 mV/g	±16 g	26 kHz

Similar Products



M12 Connector
CMCP788T-M12



Submersible
CMCP788T-IP



Integral Armored Cable
CMCP788T-I