

CMCP-TKSC QuickClick Shaft Calibrator



Features:

- Easy to Use
- QuickClick for Precise Incremental Measurements
- Measure Actual Shaft or Rod Sensitivity
- Accepts Proximity Probes up to 0.400 dia.
- 0.50" or 12.7 mm Range
- Delrin Base, proven not to affect Sensitivity
- Mounting Strap Included

The **CMCP-TKSC Shaft Calibrator** is used to determine the actual Proximity Probe System Output in mv/mil or mv/um of a machine shaft or piston rod. Proximity Probe Systems are calibrated by the manufacturer to 200 mv/mil (7.87 mv/um) using a 4140 Steel as standard.

The actual machine shaft or rod response (sensitivity) to a Proximity Probes System can be quickly calculated by using the **CMCP-TKSC** and measuring the actual target surface. Knowing the correct calibration allows monitoring system to be adjusted to read vibration, thrust, or rod drop correctly. Electrical or mechanical runout measurement can also be easily corrected for sensitivity.

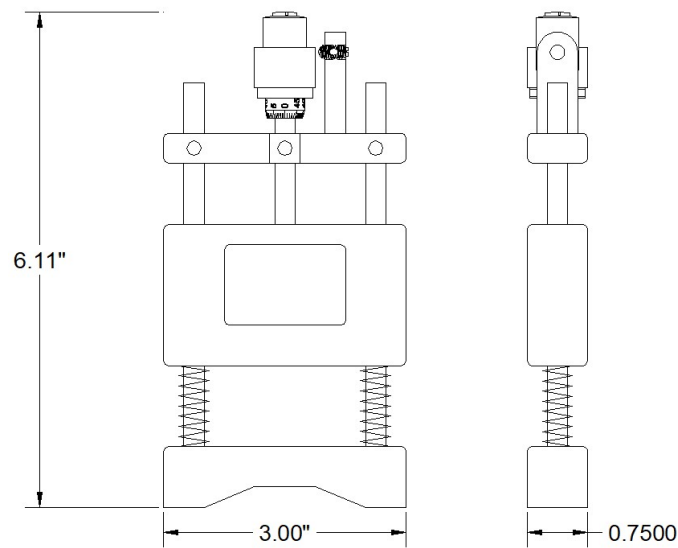
Using the **CMCP-TKSC** is straight forward. First, a proximity probe of known sensitivity is mounted in the **CMCP-TKSC** Armature and a few measurements are performed using a quality Voltmeter (DVM). Then the proximity probe, in the approximate center of its range, is gapped and compared to readings in 10 mil increments. A standard 200mv/mil proximity system, when viewing 4140 steel, will produce a 2.0 VDC change for every 10 mil change in the gap. The actual output change is simply divided by 10 and the actual sensitivity will be obtained in mv/mil or mv/um. The Delrin (non-metallic) base of the **CMCP-TKSC** will not affect the signal of proximity probe systems.

STI's patented **QuickClick** micrometer allows the user to easily adjust the micrometer in 0.005" (English option) or 0.1mm (Metric option) increments quickly and reliably, improving the overall time it takes to complete calibration and with greater precision. The **QuickClick** can also be disengaged to allow for 0.001" or 0.01mm graduations.



Specifications:	
Dimensions:	6.00" x 3.00" x 0.75" 152.4 mm x 76.2 mm x 19.05 mm
Weight:	2.0 lbs. (0.90 kg) CMCP-TKSC with accessories and Case
Micrometer Range:	0 to 0.50" (English) 0 to 12.7 mm (Metric)
QuickClick Adjustment:	0 to 0.005" (English) 0 to 0.1 mm (Metric)
Micrometer Adjustment:	0.001" (English Option) 0.01 mm (Metric Option)

Ordering Information:	
CMCP-TKSC-E	Shaft Calibrator with English Micrometer
CMCP-TKSC-M	Shaft Calibrator with Metric Micrometer



Similar Products:		
 <p>CMCP-TKPC Pocket Calibrator</p>	 <p>CMCP610 Benchtop Probe Calibrator</p>	 <p>CMCP-TKPro Vibration Test Kit</p>

