



## CMCP240 Series Proximity Speed Sensor



### Features:

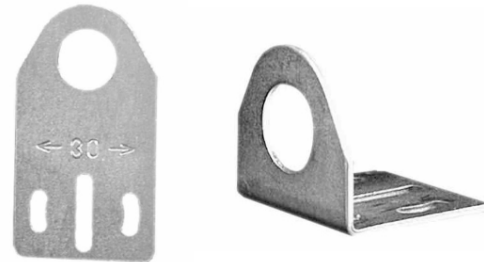
- M12x1 Threaded Body
- Shielded Sensing Tip
- 4mm Sensing Distance
- LED Status Indicator
- PNP or NPN Output
- Overload Protection
- 2m Integral Cable or M12 Connector Option
- Includes Two Lock Nuts
- Optional Mounting Bracket

### Technical Performance

Nominal Sensing Distance: 4mm (0.16")  
 Operating Distance: 0 to 3.24mm (0.127")  
 Switching Frequency: 700Hz

### Electrical

Output Type: PNP or NPN  
 Operating Voltage: 10 to 30VDC  
 Current: 100mA Max  
 Voltage Drop: <2.5VDC  
 Time Delay: ≤25ms  
 Reverse Polarity Protection: Yes  
 Short Circuit Protection: Yes  
 Indicator Status: Yellow LED



### Environmental

Operating Temperature Range: -40 to 85°C (-40 to 185°F)  
 Sealing: IP68, IP69K  
 Approvals: UL, CE, RoHS

### Mechanical

Housing Material: Chrome-plated Brass  
 Sensing Face Material: PPS (Polyphenylene Sulfide)  
 Connection: 2m Integral Cable or M12 Connector (Use CMCP605M Extension Cable)

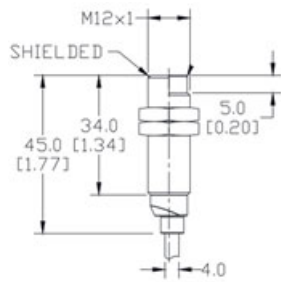
### Ordering Information:

<b>CMCP240</b>	-XX	-XXX
<b>CMCP240M</b>	-XX	-XXX
	-NPN	
	-PNP	
		-00
		-01
		-02

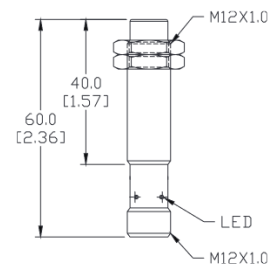
### Proximity Speed Sensor with 2m Integral Cable Proximity Speed Sensor with M12 Connector

Proximity Speed Sensor, NPN Output, with 2m Integral Cable  
 Proximity Speed Sensor, PNP Output, with 2m Integral Cable  
 Without Mounting Bracket  
 With Right Angle Mounting Bracket  
 With Axial Mounting Bracket

## Dimensions

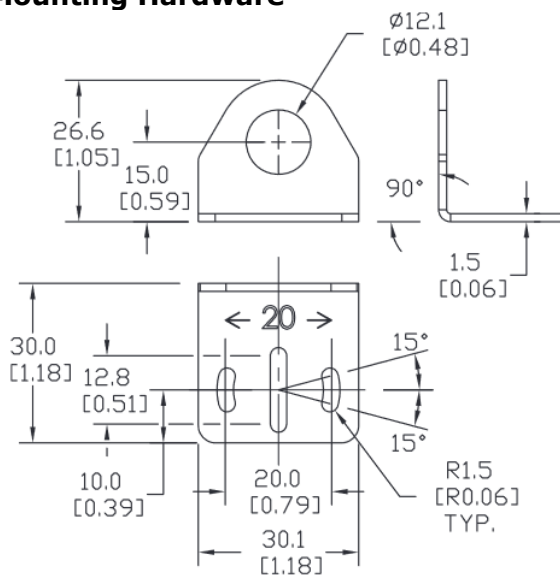


CMCP240 Series (Integral Cable)

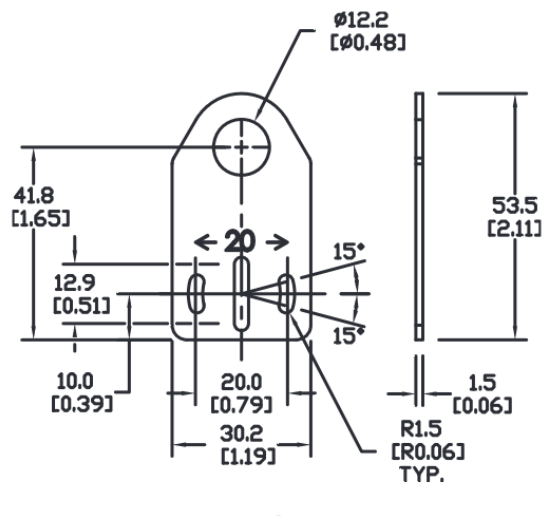


CMCP240M Series (M12 Connector)

## Mounting Hardware



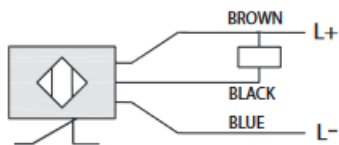
Optional Side Exit Mounting Bracket



Optional Axial Mounting Bracket

## Wiring

### NPN Output



### PNP Output

