



CMCP422VTS-D Series with Dynamic Output Loop Powered 4-20 mA Velocity Sensor, Side Exit 3 Pin MS 5015



Features

- Loop Powered 4-20 mA Output
- Velocity RMS or Peak
- 100 mV/g Dynamic Output
- Side Exit 3 Pin MS 5015 Connector
- Low Profile
- Interfaces Directly to PLC/DCS System
- Different Ranges Available
- 10 Hz to 1.0 kHz ISO Filter (600 CPM to 60 kCPM)
- -13 to +248 °F (-25 to +120 °C) Temperature Range
- Sealed to IP68

Typical Applications

Fans, Motors, Pumps, Compressors, Centrifuges, Conveyors, Air Handlers, Gearboxes, Rolls, Dryers, Presses, Cooling, HVAC, Spindles, Machine Tooling, Process Equipment and many more.

Technical Performance

Mounted Base Resonance:	5 kHz Min.
Analog Output:	4-20 mA Between Pin A and B
Dynamic Output:	100 mV/g Between Pin B and C
Frequency Response:	10 Hz to 1.0 kHz ± 5%, (600 CPM to 60 kCPM) ISO 10816
Isolation:	Base Isolated
Measurement Range:	50 g peak
Transverse Sensitivity:	Less than 5% with Faraday Cage

Electrical

Output Current:	4-20 mA DC Proportional to RMS or Peak Velocity
Supply Voltage:	15 to 30 VDC
Settling Time:	2 Seconds
Output Impedance:	Loop Resistance 600 Ohms Max @ 24VDC
Case Isolation:	>10 ⁸ Ohms at 500 Volts

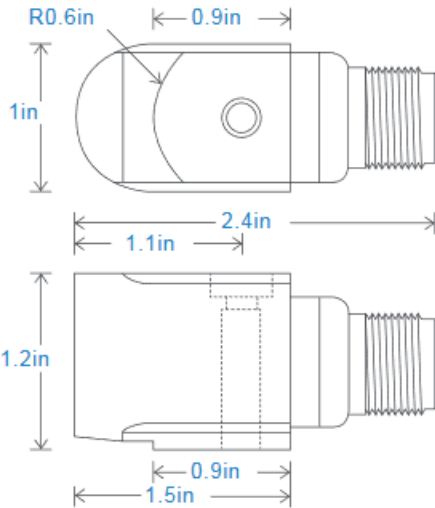
Environmental

Operating Temperature Range:	-13 to +248 °F (-25 to +120 °C)
Sealing:	IP68
Maximum Shock:	5000 g

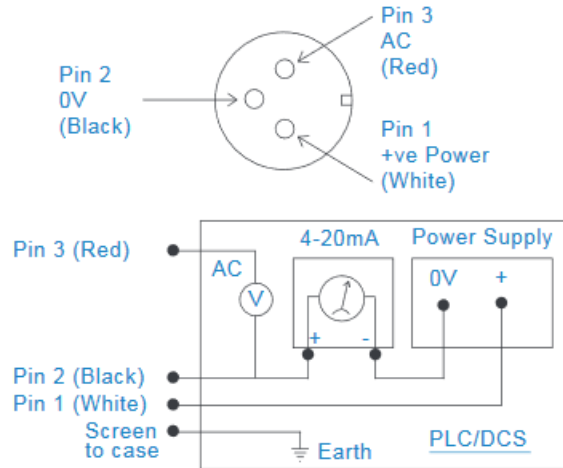
Mechanical

Case Material:	Stainless Steel
Sensing Element:	PZT/Compression Type
Mounting Torque:	5.9 ft. lbs (8Nm)
Weight:	6.5 Oz (185g)
Mounting:	1/4"-28 Captive Bolt (Supplied with Sensor)
Mating Connector:	3 Pin MIL 5015 MS Connector

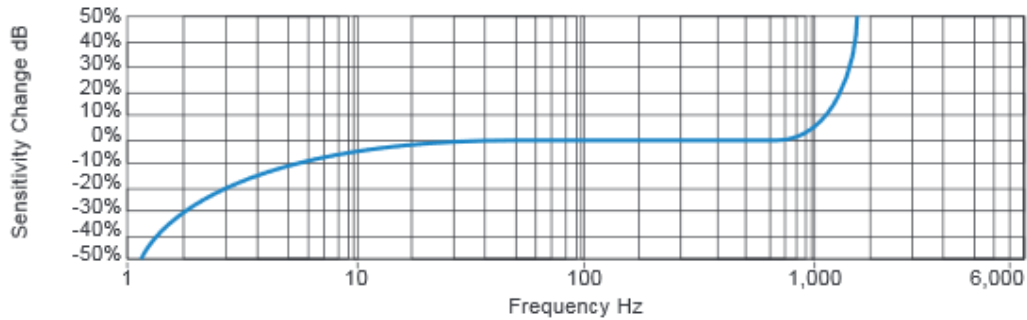
Dimensions



Connection Details



Typical Frequency Response



Ordering Information

CMCP422VTS	-XXD	-X	-XXX	Description
	-01D			1.00 In/Sec Full Scale (25.4 mm/s) with Dynamic AC Output
	-02D			2.00 In/Sec Full Scale (50.8 mm/sec) with Dynamic AC Output
		-R		RMS Detection
		-P		Peak Detection
			-C	3 Pin MS 5015 Connector
			-M12	M12 Eurofast Connector
			-I	Integral Braided Armor Cable (5 meters)

Similar Products



CMCP422VTS-XXD-X-I
Integral Armored Cable



CMCP422VTS-XXD-X-M12
M12 Eurofast Connector