



CMCP422VTS-IP Series Loop Powered 4-20mA Velocity Sensor IP68 Submersible Integral Cable



Features

- Loop Powered 4-20 mA Output
- 100 mV/g Dynamic Output
- Velocity RMS or Peak
- Side Exit Submersible PUR Cable
- Interfaces Directly to PLC/DCS System
- 10 Hz to 1.0 kHz ISO Filtering (600 CPM to 60k CPM)
- -13 to +248 °F (-25 to +120 °C) Temperature Range
- Sealed to IP68

Typical Applications

Fans, Motors, Pumps, Compressors, Centrifuges, Conveyors, Air Handlers, Gearboxes, Rolls, Dryers, Presses, Cooling, HVAC, Spindles, Machine Tooling, Process Equipment and many more.

Technical Performance

Mounted Base Resonance: 5 kHz Min.
 Ranges: See Ordering Information Below
 Frequency Response: 10 Hz to 1.0 kHz \pm 5%
 600 CPM to 60k CPM
 ISO 10816
 Isolation: Base Isolated
 Measurement Range: 50 g peak
 Transverse Sensitivity: Less than 5% with Faraday Cage

Electrical

Output Current: 4-20 mA DC Proportional to RMS or Peak Velocity
 Raw Output: 100 mV/g \pm 10%
 Supply Voltage: 15 to 30 VDC
 Settling Time: 2 Second
 Output Impedance: Loop Resistance 600 Ohms Max @ 24VDC
 Case Isolation: $>10^8$ Ohms at 500 Volts

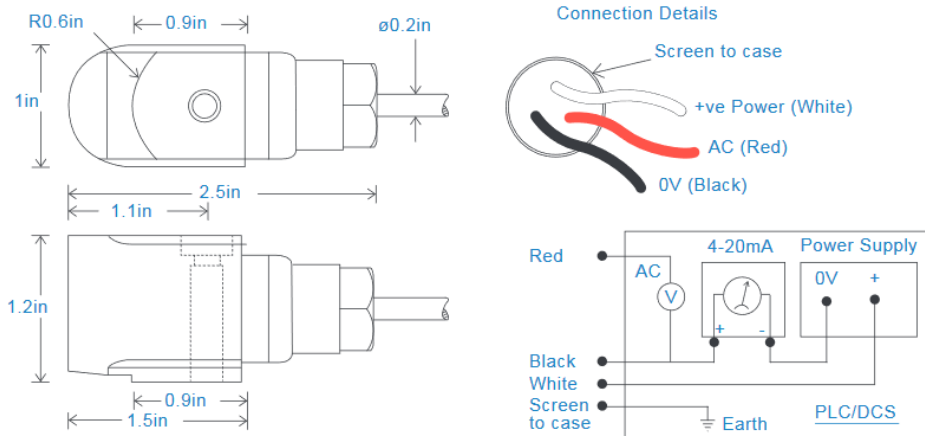
Environmental

Operating Temperature Range: -13 to +248 °F (-25 to +120 °C)
 Sealing: IP68
 Maximum Shock: 5000 g

Mechanical

Case Material: Stainless Steel
 Sensing Element: PZT/Compression Type
 Mounting Torque: 5.9 ft. lbs (8Nm)
 Weight: 6.5 Oz (185g)
 Mounting: 1/4"-28 Captive Bolt
 Mating Connector: PUR Cable, 4 Wires with Drain/Shield

Dimensions



Ordering Information

	CMCP422VTS	-XX	-X	-XXX	Description
Imperial System		-01			Loop Powered 4-20 mA Velocity Sensor, Side Exit 1.00 In/Sec Full Scale (25.4 mm/s) 2.00 In/Sec Full Scale (50.8 mm/s)
Metric System		-10			10 mm/s Full Scale
		-20			20 mm/s Full Scale
		-25			25 mm/s Full Scale
		-50			50 mm/s Full Scale
		-100			100 mm/s Full Scale
			-R		RMS Detection
			-P		Peak Detection
				-IP	Integral PUR Cable, IP68 Submersible (5 Meter Long)

Example Part Number: CMCP422VTS-01-R-IP10 Loop Powered 4-20 mA Velocity Sensor with side exit, Full Scale 1.0 Inch/Second, RMS Detection and 10-meter integral braided cable

Specify desired Cable Length in Meter after IP (ex. IP20 for 20 meter).

Similar Products



CMCP422VTS-XX-X-M12
M12 Eurofast Connector



CMCP422VTS-XX-X-C
2 Pin MS 5015 Connector