



STI Vibration Monitoring Inc.

Vibration Monitoring and Machine Protection Systems

1010 East Main Street, League City, TX 77573 Phone:281.334.0766 Fax: 281.334.4255
www.stiweb.com / www.stiwebstore.com



CMCP793V

Velocity Sensor, Top Entry 2 Pin MS Connector



Features:

- Top Exit Velocity Sensor
- 100 or 500 mV/In/Sec $\pm 10\%$ (4mV or 20mV/mm/s)
- 140°C Max Temperature Range
- 2 Pin MS 5015 Connector
- Class 1 Division 2 Approved
- Class 1 Division 1 Approved with IS Barrier or Isolator
- 1/4"-28 UNF and M8x1.25 Mounting Studs Included
- Sealed to IP68

Typical Applications

Fans, Motors, Pumps, Compressors, Centrifuges, Conveyors, Air Handlers, Gearboxes, Rolls, Dryers, Presses, Cooling, HVAC, Spindles, Machine Tooling, Process Equipment and many more.

Technical Performance

Mounted Base Resonance:	22 kHz (nominal)
Sensitivity:	
CMCP793V:	100mV/In/Sec (4mV/mm/s) $\pm 10\%$ Nominal 80Hz at 22°C
CMCP793V-500:	500mV/Sec (20mV/mm/s) $\pm 10\%$ Nominal 80Hz at 22°C
Frequency Response:	3 Hz to 4.5 kHz $\pm 10\%$ (180 cpm to 270k cpm) 2 Hz to 6 kHz $\pm 3dB$ (120 cpm to 260k cpm)
Isolation:	Base Isolated
Measurement Range:	
100mV/In/Sec Option:	40 In/Sec
500mV/In/Sec Option:	10 In/Sec
Transverse Sensitivity:	Less than 5%

Electrical

Electrical Noise:	0.1mg max
Current Range:	0.5mA to 8mA
Bias Voltage:	10-12 Vdc
Settling Time:	1 Second
Output Impedance:	200 Ohms max.
Case Isolation:	$>10^8$ Ohms at 500 Volts

Environmental

Operating Temperature Range:	-67 to 284°F (-55 to 140°C)
Sealing:	IP68 / Hermetically Sealed
Maximum Shock:	5000 g
Approvals:	CE Approved CSA/UL Class 1 Division 2, Groups B, C and D

Mechanical

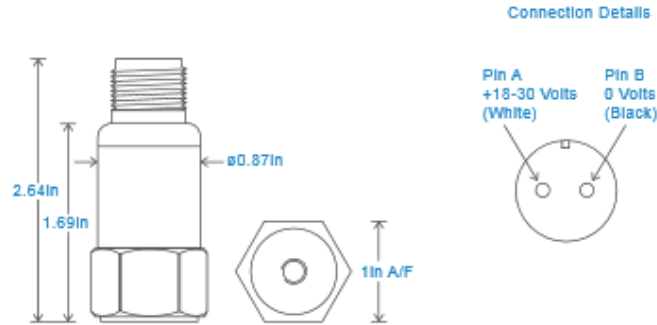
Case Material:	Stainless Steel
Sensing Element:	PZT/Compression
Mounting Torque:	5.9ft. lbs (8Nm)
Weight:	4.4 Oz (125 grams)
Mounting:	1/4"-28 UNF and M8x1.25 Mounting Studs Provided
Mating Connector:	2 Pin MIL 5015 MS Connector

Condition Monitoring Custom Products

Hazardous Location Ratings

Class I, II, III, Division 1 and 2, Groups A-G, T4, -55°C to + 110°C IP65
Class 1, Zone 0, AEx, ia, IIC, T4, Ga, -55°C to + 110°C
Zone 20, AEx, ia, IIIC, T130°C, IP65, Da, -55°C to + 110°C
Class I, II, III, Division 1, 2, Groups A-G, T6, -55°C to + 110°C
Zone 20, AEx, ia, IIIX, T80°C, IP65, DA, -55°C to + 110°C

Dimensions



Ordering Information:

CMCP793V Velocity Sensor, Top Entry 2 Pin MS Connector, 100mV/in/s (4mV/mm/s)
CMCP793V-500 Velocity Sensor, Top Entry 2 Pin MS Connector, 500mV/in/s (20mV/mm/s)

Recommended Cable Assemblies:

General Purpose TPE Jacketed Cable (Rated to 120°C)
CMCP602L Series 2 Socket MS Connector, Locking Collar, IP67
CMCP602LST Series 2 Socket MS Connector, Push On Seal Tight, IP68

High Temperature FEP Jacketed Cable (Rated to 200°C)
CMCP602H Series 2 Socket MS Connector, Locking Collar, IP67
CMCP602HST Series 2 Socket MS Connector, Push On Seal Tight, IP68

Similar Products



M12 Connector
CMCP793V-M12



Submersible
CMCP793V-IP



Integral Armored Cable
CMCP793V-I