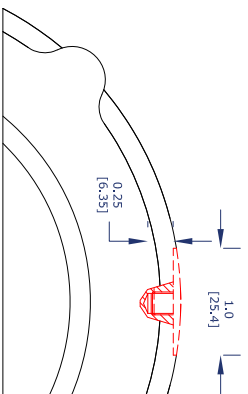
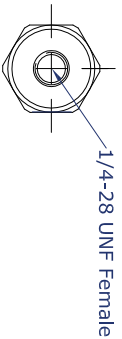
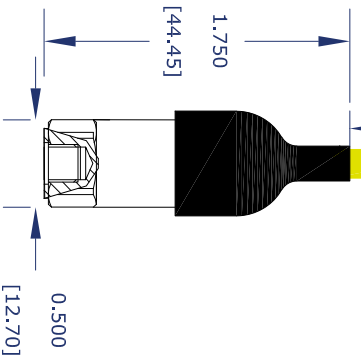


Specify Cable Length in Meters (5, 10, 20m Standard)

Yellow FEP Jacketed Cable  
2 Wire w/ Braided Shield and Drain Wire  
200°C Temperature Rating

Inner Shield and Drain Wire  
Isolated from Sensor Case  
White - Signal (+18-28 VDC)  
Black - Common (0V)



- Installation**
- Drill hole 1/8" (3.2mm) deep
  - 1/4-28 Sensors: #3 Drill Bit
  - M8x1.25 Sensors: 6.8mm Drill Bit
  - Pre-drill Sensor Mounting Hole
  - Spot Sensor from Outside
  - Green Drain from Surface
  - Pre-drill Drain Mounting Hole
  - Install Sensor
- Suggested Mounting Kit**
- CMC2270-02-T for 1/4-28 UNF Sensors
  - CMC2270-01-T for M8x1.25 Sensors
  - CMC2270-03-T for M8x1 Sensors

THIS DOCUMENT IS THE PROPERTY OF STI AND SHALL BE RETURNED TO STI WITHOUT DELAY. IT IS TO BE KEPT IN THE ORIGINAL FORM AND NOT REPRODUCED OR TRANSMITTED IN ANY FORM OR BY ANY MEANS, WITHOUT PERMISSION FROM STI.

CUSTOMER	
LOCATION	
ORDER NO.	
UNLESS OTHERWISE SPECIFIED	
ALL DIMENSIONS ARE IN INCHES.	
FRACTIONS	XX ± 0.01
DECIMALS	.XXXX ± 0.0005
TOLERANCES:	
ANGLES	± 1.0
APPROX.	M. Howard

**STI Vibration Monitoring**  
League City, Texas

- Notes:
- - 
  - 
  - 
  -

REV	DATE	DRAWN	DESCRIPTION								
A											
<table border="1"> <tr> <td>DATE</td> <td>APPROVED</td> <td>DATE</td> <td>APPROVED</td> </tr> <tr> <td>May 6, 2020</td> <td>M. Howard</td> <td>May 6, 2020</td> <td>M. Howard</td> </tr> </table>				DATE	APPROVED	DATE	APPROVED	May 6, 2020	M. Howard	May 6, 2020	M. Howard
DATE	APPROVED	DATE	APPROVED								
May 6, 2020	M. Howard	May 6, 2020	M. Howard								
<table border="1"> <tr> <td>CMCPI100 Series</td> <td>TOP ENTRY / High Temp Cable</td> <td>REV</td> <td>A</td> </tr> <tr> <td>CMCPI1100HT</td> <td></td> <td>Scale:</td> <td>1:1</td> </tr> </table>				CMCPI100 Series	TOP ENTRY / High Temp Cable	REV	A	CMCPI1100HT		Scale:	1:1
CMCPI100 Series	TOP ENTRY / High Temp Cable	REV	A								
CMCPI1100HT		Scale:	1:1								