

CMCP-DVS-GP

Digital Vibration Switch for General Purpose



Features

- Programmable
- 2-2,000 Hz Frequency Range
- 2 Levels of Alarm (Alert and Danger)
- Daylight Visible Red LED Display
- 5 Amp, 230VAC Rated Relays
- Adjustable Time Delay
- Internal IEPE Accelerometer
- True RMS Velocity
- IP68 Housing

Typical Applications

Cooling Towers, Fans, Motors, Pumps, Compressors, Centrifuges, Conveyors, and many more.

Description

The CMCP-DVS is a single channel microprocessor-controlled vibration switch with two (2) alarm levels with associated relays. Alarm levels are completely programmable and can be either latching or non-latching. It has a 4 Digit 0.5" high Red LED Display along with LED alarm indicators and is available in English or Metric units. Standard setup is 0 - 1.0 in/sec (0 - 25.4 mm/s), Non-Latching and 3 second delay. The Sensor module mounted in the bottom of the housing uses a 100 mv/g IEPE Accelerometer and converts the signal to True RMS Velocity.

It is designed to be mounted directly to rotating machinery and prevent catastrophic failure by shutting down the machine when vibration levels become excessive. Alarm time delay is programmable from 0 to 99 Seconds to prevent false shutdowns.

For Latching Alarms, a reset switch on the front panel keypad is provided. An Optional external switch is available. Terminals are also available for wiring to a remote reset switch.

Technical Specifications

Measurement Type:	Velocity RMS
Frequency Response:	2 Hz to 2,000 Hz
Full Scale Range:	See Ordering Information
Accuracy:	±5% of Full Scale
Display:	4 Digit, 0.50" (12.5mm) LED
Memory:	Non-Volatile
Response Time:	Typically 200 ms
Output:	4-20 mA
OK Circuit:	Fail Low/High
Conduit Entry:	Three (3), 3/4" NPT

Alarms

Alarms:	Two (2) Programmable Alarms, Latching or Non-Latching
Alarm Indication:	Front Panel LED's
Alarm Time Delay:	Programmable, 0 to 99 Seconds
Relays:	2 SPDT
Relay Rating:	5 Amps, 250 VAC

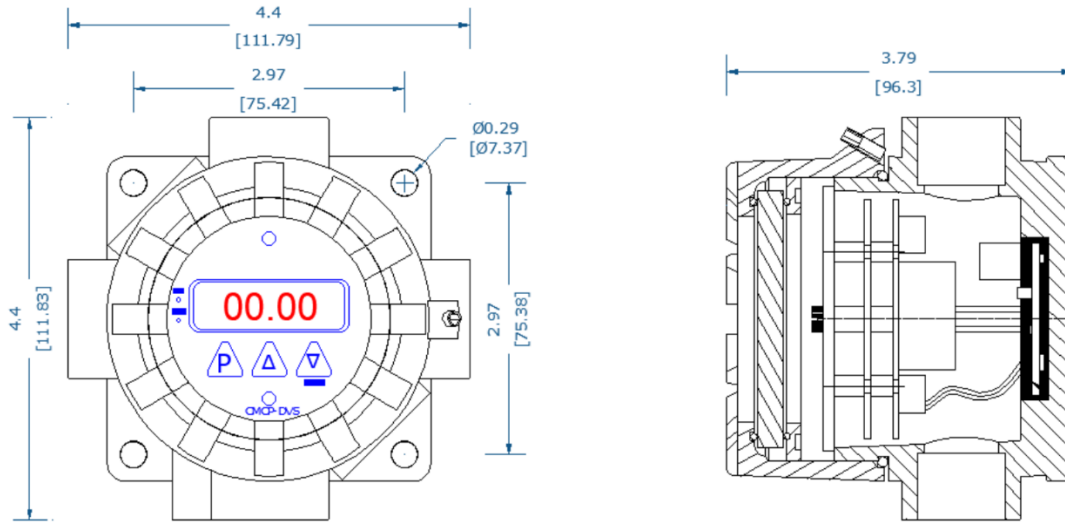
Power:

Voltage: +24 VDC ±20%
Current: <50 mA

Environmental:

Operating Temperature: -40 °F to 140 °F (-20 °C to +60 °C)
Humidity: 0-95% Non-Condensing
IP Rating: IP68

Dimensions:



Ordering Information:

CMCP-DVS-GP	-XX	-XX	Description
	-E1		0-1.00 in/s Measurement Range
	-E2		0-2.00 in/s Measurement Range
	-M1		0-25 mm/s Measurement Range
	-M2		0-50 mm/s Measurement Range
	-00		Without External Reset Switch
	-RST		With External Reset Switch

Example: CMCP-DVS-GP-E1-RST
Digital Vibration Switch for General Purpose
0-1.00 in/s Range, With External Reset Switch

Similar Products



CMCP-DVS-EX
Digital Vibration Switch
for Hazardous Locations



CMCP1000
Dual Limit Single Channel
Vibration Switch