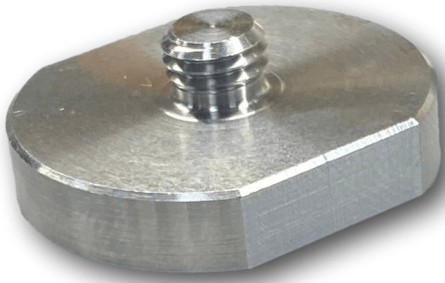


CMCP200C
Cementing Pad, 1/4-28 UNF Male, 316 Stainless Steel

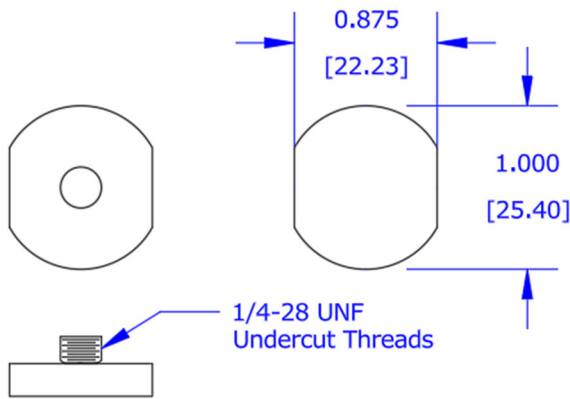


Features:

- Low Profile Cementing Pad
- 316 Stainless Steel
- 0.2" Thickness
- 1.0" Diameter
- Finished Mounting Surface
- No Need for Mounting Stud

Specifications:

Material: 316 Stainless Steel
 Diameter: 1.0"
 Thickness: 0.2"
 Thread: 1/4-28 UNF, 2B
 Thread Height: 0.165"
 Mounting Style: Adhesive/Cementing



Ordering Information:

CMCP200C Cementing Pad for Accelerometers, 1/4-28 UNF