

CMCP239 Swivel Mount

For use with any small Body Accelerometer



Features

- Swivel Mount
- 316 Stainless Steel
- Slotted (Machine End)
- 4 mm Allen (Accelerometer End)
- 1/4"-28 Male to 1/2"-20 Female Adapter
- 1/4"-28 Male to 1/2"-20 Male (Machine Side)

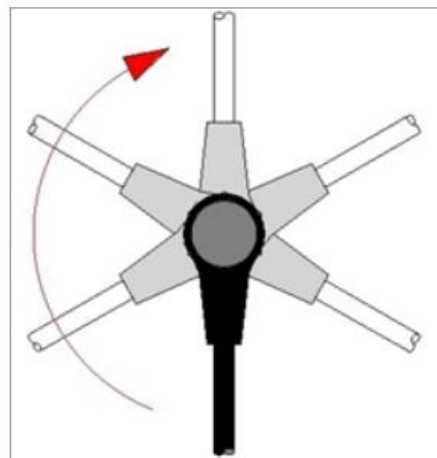
Typical Applications

Highly recommended for CMCP1100S Side-Exit and CMCP1100 Top-Exit Accelerometer

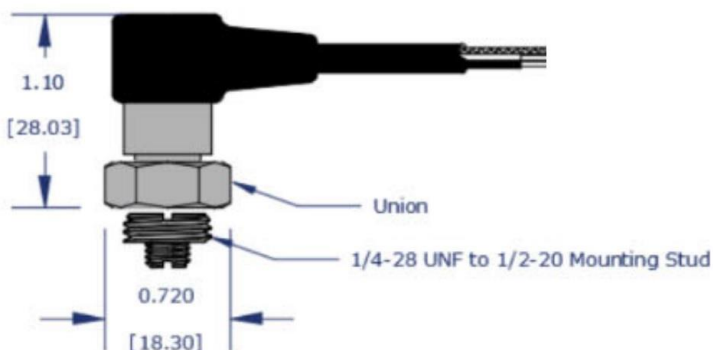
Description

STI's CMCP239 Accelerometer Swivel Mounting adapters are the same devices as used with the CMCP1100SR Revolution Series. These 316 Stainless Steel Mounting adapters ease the installation of small-bodied Accelerometers with integral cable by allowing adjustment to the cable exit in any radial direction.

Simply install the 1/4-28 UNF to 1/2-20 Mounting Stud onto the sensor location, attach the Union with 1/4"-28 Male to 1/2"-20 Female Adapter to the sensor, point the cable exit in the desired direction and fasten the Union.

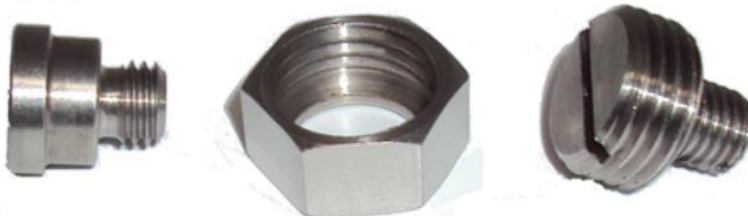


Dimensions



Ordering Information

CMCP239 Swivel Mount



1/4"-28 Male to 1/2"-20 Female Adapter

Union

1/4"-28 UNF to 1/2"-20 Mounting Stud