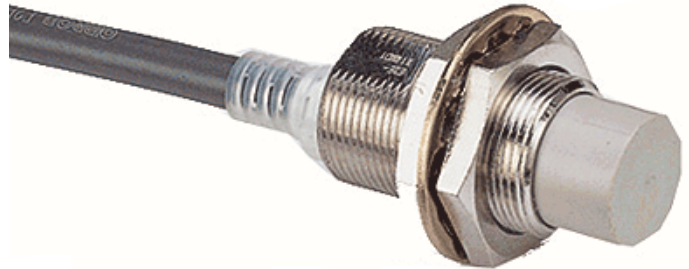


Condition Monitoring Custom Products

## CMCP240 Proximity Switch

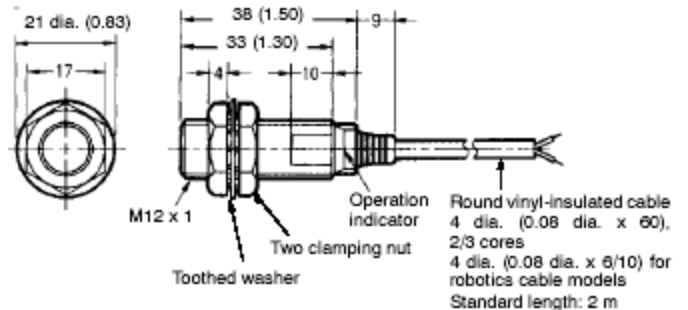
### Features:

- Short Barrel
- 3-Wire Hookup
- Meets IP670
- Thick nickel-plated brass barrel
- Wrench flats for easy installation
- Solid potted internal circuitry
- Withstands shocks and water
- High visibility indicator
- Integral 2 Meter Cable



### Specifications:

Supply Voltage	12 to 24 VDC
Sensor Body Style	Metal Cylindrical
Barrel Size	M12
Target Material	Ferrous
Sensing Distance	1.5 mm
Contact Type	No
Amplifier Type	Self-contained
Output Type	NPN or PNP
Connection	Pre-wired
Shielded / Unshielded	Shielded
Response Frequency	1.5 kHz



### Ordering Information:

Part No.	-XXX	-XX	Description
CMCP240	-NPN		NPN Output (Standard)
			PNP Output
	-00		Without Mounting Bracket
	-01		With Mounting Bracket

To Order Online Please Visit  
[www.stiwebstore.com](http://www.stiwebstore.com)