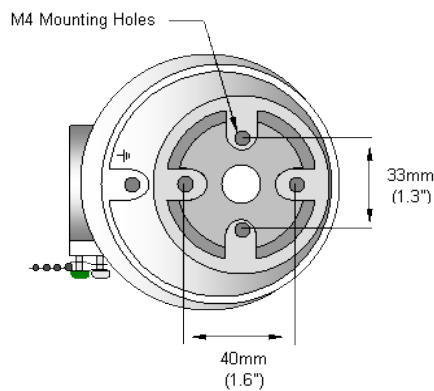
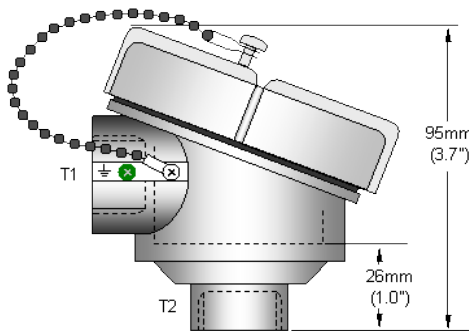


Condition Monitoring Custom Products

CMCP420-XPHD Standard Head for CMCP420VT & CMCP420VT-T



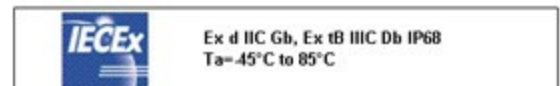
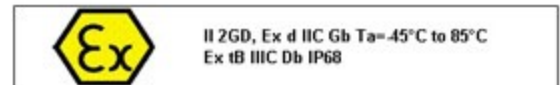
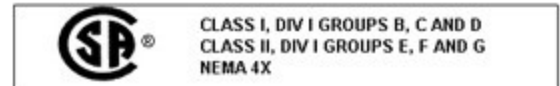
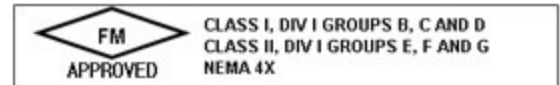
Features:

- XP Head for Class I Div. I Areas
- Terminal Block for Simplified Wiring
- Aluminum or Epoxy Finish
- NEMA 4 and IP66 Equipment Rating
- Epoxy Coated NEMA 4X and IP66 & Corrosion Resistant
- 3/4" NPT

Specifications:

| | |
|-------------|--------------------|
| Material: | Aluminum |
| Connection: | 3/4" NPT |
| Weight: | 1 Pound (0.450 Kg) |

Certifications:



Reference Model Number 1080WM On Approval Documents