



CMCP422ATS-I Series

Loop Powered 4-20 mA Acceleration Sensor,
Side Exit, IP65, Armored Braided Integral Cable



Features

- Loop Powered 4-20 mA Output
- Acceleration RMS or Peak Detection
- Side Exit with PUR Integral Cable
- Interfaces Directly with Control Systems (PLC/DCS)
- Four Different Ranges Available
- 10 Hz to 5.0 kHz +/-5% Frequency Response (600 CPM to 300 kCPM)
- Armored, Sealed to IP65
- -25 to +120°C (-13 to 248°F) Temperature Rating
- Lifetime Warranty



Typical Applications

Fans, Motors, Pumps, Compressors, Centrifuges, Conveyors, Air Handlers, Gearboxes, Rolls, Dryers, Presses, Cooling, HVAC, Spindles, Machine Tooling, Process Equipment and many more.

Technical Performance

Mounted Base Resonance:	10 kHz Min.
Ranges:	1, 2, 5 or 10 g; to specify see Ordering Information below
Frequency Response:	10 Hz to 5.0 kHz ± 5% 600 CPM to 300k CPM
Isolation:	Base Isolated with Faraday Cage
Transverse Sensitivity:	Less than 5%

Electrical

Output Current:	4-20 mA DC Proportional to RMS or Peak Acceleration (g)
Supply Voltage:	15 to 30 VDC
Settling Time:	2 Second
Output Impedance:	Loop Resistance 600 Ohm Max @ 24 VDC
Case Isolation:	>10 ⁸ Ohm at 500 Volt

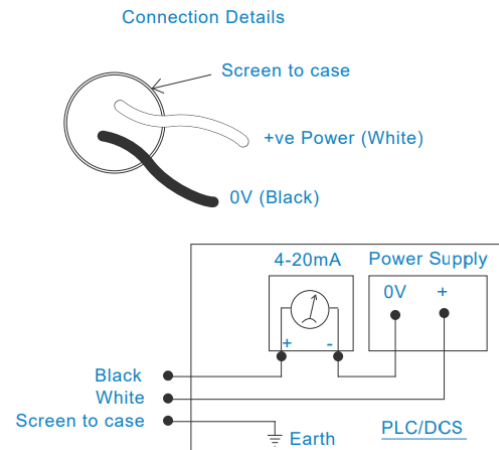
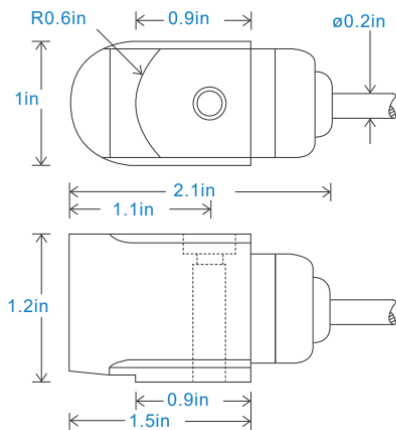
Environmental

Operating Temperature Range:	-13 to +248°F (-25 to +120°C)
Sealing:	IP65
Maximum Shock:	5000 g

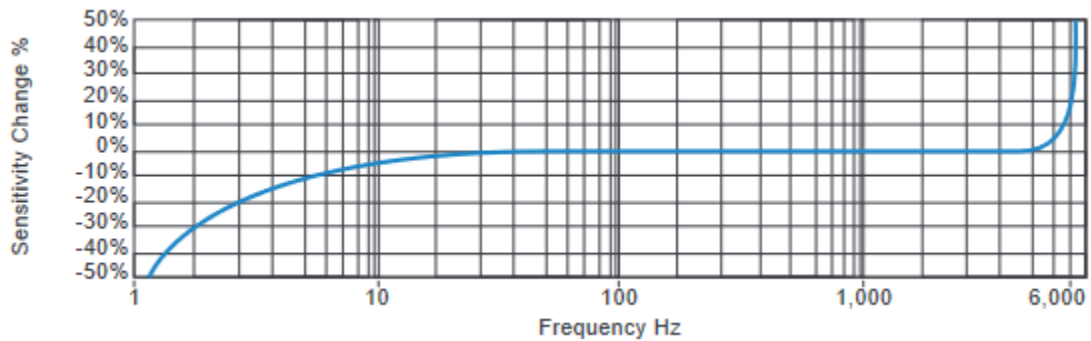
Mechanical

Case Material:	Stainless Steel
Sensing Element:	PZT/Shear Type
Mounting Torque:	5.9 ft. lbs (8Nm)
Weight:	6.5 Oz (185 g) Sensor only
Mounting:	
CMCP422ATS-IP:	1/4"-28 UNF Captive Bolt Supplied with Sensor
CMCP422ATS-IP-M8:	M8x1.25 Captive Bolt Supplied with Sensor
Mating Connector:	Braided Armor Cable, 2 Wire with Drain/Shield

Dimensions



Typical Frequency Response



Ordering Information

CMCP422ATS	-XX	-X	-XXX	Description
	-01			1 g Full Scale
	-02			2 g's Full Scale
	-05			5 g's Full Scale
	-10			10 g's Full Scale
		-R		RMS Detection
		-P		Peak Detection
			-C	2 Pin MS 5015 Connector
			-M12	M12 Eurofast Connector
			-IP	Integral PUR Submersible Cable
			-I	Integral Braided Armor Cable, 5 m (16')

Specify desired Cable Length in Meter after '-I' (for example -I20 for 20 meter)

Similar Products



CMCP422ATS-XX-X-M12
M12 Eurofast Connector



CMCP422ATS-XX-X-C
2 Pin MS 5015 Connector



CMCP422ATS-XX-X-IP
Integral PUR Cable

Note: Due to STI's continuous process improvement, specifications are subject to change without notice.