

**CMCP422VT-C Series
Loop Powered 4-20 mA Velocity Sensor, Top Entry**



Features

- Loop Powered 4-20 mA Output
- Velocity Peak or RMS
- 2 Pin MS 5015 Connector
- Optional 4 Pin M12 Eurofast Connector
- Interfaces Directly to PLC/DCS System
- Class I Division II Approved Standalone
- Class I Division I Approved with Barrier or Isolator
- 10 Hz to 1.0 kHz ISO Filter (600 CPM to 60k CPM)
- -13 to 248 °F (-25 to 120 °C) Temperature Range
- Sealed to IP68

Typical Applications

Fans, Motors, Pumps, Compressors, Centrifuges, Conveyors, Air Handlers, Gearboxes, Rolls, Dryers, Presses, Cooling, HVAC, Spindles, Machine Tooling, Process Equipment and many more.

Technical Performance

Mounted Base Resonance: 5 kHz Min.
 Ranges: See Ordering Information Below
 Frequency Response: 10 Hz to 1 kHz ± 5%
 600 CPM to 60k CPM
 ISO 10816
 Isolation: Base Isolated
 Measurement Range: 50g peak
 Transverse Sensitivity: Less than 5% with Faraday Cage

Electrical

Output Current: 4-20mA DC Proportional to RMS or
 Peak Velocity
 Supply Voltage: 15 to 30 VDC
 Settling Time: 2 Seconds
 Output Impedance: Loop Resistance 600 Ohms Max @ 24VDC
 Case Isolation: >10⁸ Ohms at 500 Volts

Mechanical

Case Material: Stainless Steel
 Sensing Element: PZT/Compression Type
 Mounting Torque: 5.9 ft. lbs (8Nm)
 Weight: 5.2 Oz (150g)
 Mounting: 1/4"-28 UNF Mounting Stud (Supplied with Sensor)
 Adapters Available, See CMCP237 (Metric) and CMCP238 (Imperial)
 Mating Connector: 2 Pin MIL 5015 MS Connector



CMCP422VT-XX-X-M12
M12 Eurofast Connector

Environmental:

Operating Temperature Range: -13 to 248 °F (-25 to 120 °C)
 Sealing: IP68
 Maximum Shock: 5000 g

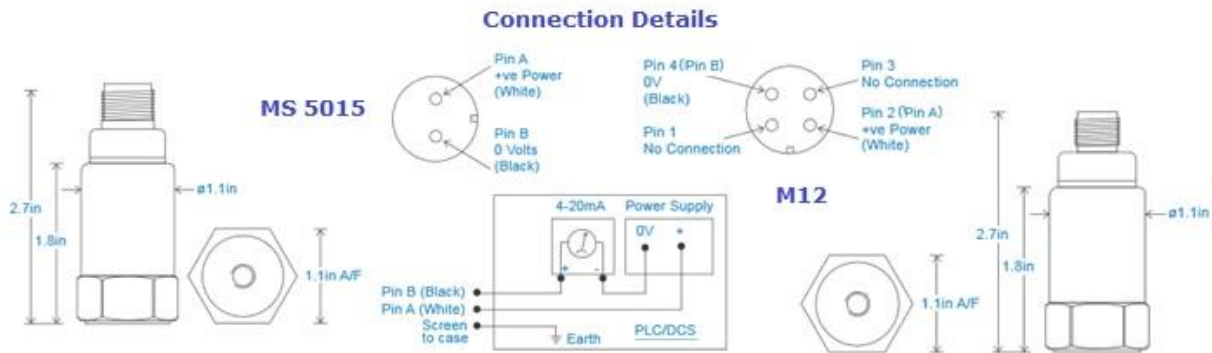
Electrical Ratings:

$U_i=28V$; $I_i = 115mA$; $P_i = 0.65W$

Hazardous Location Ratings:

Class I, II, III, Division 1, 2, Groups A-G, T6 -40°C to +60°C, IP65
 Class 1, Zone 0, AEx, ia, IIC, T6, Ga, -40°C to +60°C
 Zone 20, AEx, ia IIIC, T80°C, IP65, Da, -40°C to +60°C

Dimensions



Ordering Information

Metric:	-XX	-X	-XXX	Description
CMCP422VT				
Imperial System	-01			1.00 In/Sec Full Scale (25.4 mm/s)
	-02			2.00 In/Sec Full Scale (50.8 mm/s)
Metric System	-10			10 mm/s Full Scale
	-20			20 mm/s Full Scale
	-25			25 mm/s Full Scale
	-50			50 mm/s Full Scale
	-100			100 mm/s Full Scale
		-R		RMS Detection
		-P		Peak Detection
			-C	2 Pin MS 5015 Connector
			-M12	4 Pin M12 Eurofast Connector

Similar Products



CMCP422VT-XX-X-I
 Integral Armored Cable