



CMCP422VTS-C Series

Loop Powered 4-20mA Velocity Sensor, Side Exit, Connector



Features

- Loop Powered 4-20mA Output
- Low Profile
- Velocity RMS or Peak
- Side Exit 2 Pin MS 5015 Connector
- Optional 4 Pin M12 Eurofast Connector
- Interfaces Directly to PLC/DCS System
- Two Different Ranges Available
- 10Hz to 1kHz ISO Filtering (600 CPM to 60k CPM)
- -13 to 248 °F (-25 to 120 °C) Temperature Range
- Sealed to IP68



Typical Applications

Fans, Motors, Pumps, Compressors, Centrifuges, Conveyors, Air Handlers, Gearboxes, Rolls, Dryers, Presses, Cooling, HVAC, Spindles, Machine Tooling, Process Equipment and many more.

Technical Performance

Mounted Base Resonance:	5 kHz Min.
Ranges:	See Ordering Information Below
Frequency Response:	10 Hz to 1 kHz ± 5%
	600 CPM to 60k CPM
	ISO 10816
Isolation:	Base Isolated
Measurement Range:	50g peak
Transverse Sensitivity:	Less than 5% with Faraday Cage



CMCP422VTS-XX-X-M12
M12 Eurofast Connector

Electrical

Output Current:	4-20mA DC Proportional to RMS or Peak Velocity
Supply Voltage:	15 to 30 VDC
Settling Time:	2 Seconds
Output Impedance:	Loop Resistance 600 Ohms Max @ 24VDC
Case Isolation:	>10 ⁸ Ohms at 500 Volts

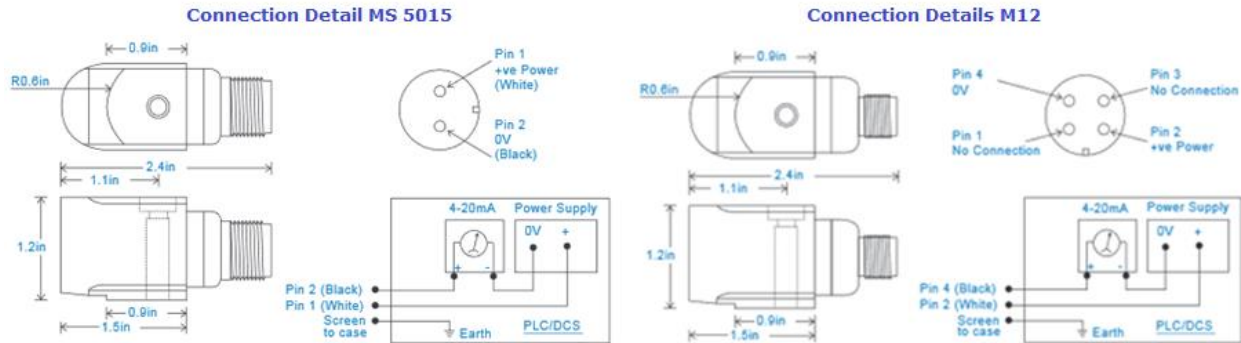
Environmental

Operating Temperature Range:	-13 to +248 °F (-25 to +120 °C)
Sealing:	IP68
Maximum Shock:	5000 g

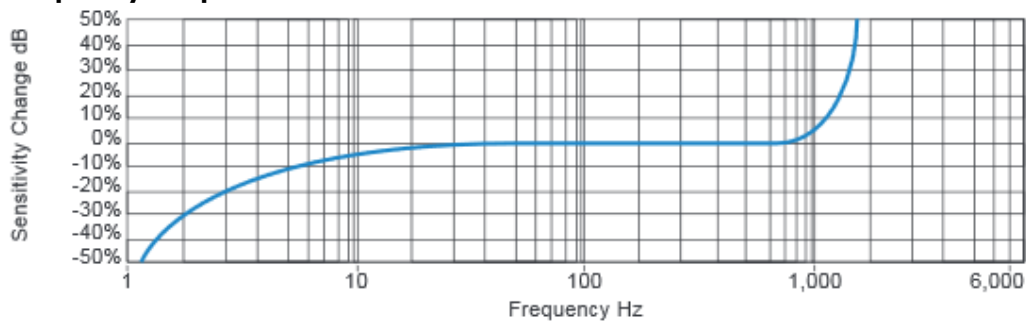
Mechanical

Case Material:	Stainless Steel
Sensing Element:	PZT/Compression Type
Mounting Torque:	5.9 ft. lbs (8Nm)
Weight:	6.5 Oz (185g)
Mounting:	1/4"-28 Captive Bolt (Supplied with Sensor)
Mating Connector:	2 Pin MIL 5015 MS Connector

Dimensions



Typical Frequency Response



Ordering Information

CMCP422VTS

Imperial System

Metric System

-XX -X -XXX

-01
-02

-10
-20
-25
-50
-100

-R
-P

-C
-M12

Description

Loop Powered 4-20 mA Velocity Sensor, Side Exit
1.00 In/Sec Full Scale (25.4 mm/s)
2.00 In/Sec Full Scale (50.8 mm/s)

10 mm/s Full Scale
20 mm/s Full Scale
25 mm/s Full Scale
50 mm/s Full Scale
100 mm/s Full Scale

RMS Detection
Peak Detection
2 Pin MS 5015 Connector
4 Pin M12 Eurofast Connector

Example Part Number: CMCP422VTS-01-R-C Loop Powered 4-20 mA Velocity Sensor, Side Exit, Full Scale 1.0 Inch/Second, RMS Detection and 2 Pin MS 5015 Connector

Similar Products



CMCP422VTS-XX-X-I
Integral Armored Cable