



## CMCP422VTTS-M12 Series

Dual Output Velocity and Temperature Sensor, Side Exit M12 Connector



### Features

- Loop Powered 4-20 mA Velocity Output
- Temperature Output (10 mV/°C)
- Velocity RMS or Peak
- Side Exit 4 Pin M12 Connector
- Low Profile
- Interfaces Directly to PLC/DCS System
- Different Ranges Available
- 10 Hz to 1.0 kHz ISO Filters (600 CPM to 60 kCPM)
- -13 to +248 °F (-25 to 120 °C) Temperature Range
- Sealed to IP67

### Typical Applications

Fans, Motors, Pumps, Compressors, Centrifuges, Conveyors, Air Handlers, Gearboxes, Rolls, Dryers, Presses, Cooling, HVAC, Spindles, Machine Tooling, Process Equipment and many more.

### Technical Performance

Mounted Base Resonance:	5 kHz Min.
Vibration Output Ranges:	See Ordering Information below
Temperature Output Range (0-1VDC):	0-100 °C (32 to 212 °F)
Frequency Response:	10 Hz to 1.0 kHz ± 5% (ISO 10816) 600 CPM to 60k CPM
Isolation:	Base Isolated
Measurement Range:	50 g peak
Transverse Sensitivity:	Less than 5% with Faraday Cage

### Electrical

Output Current:	4-20 mA DC Proportional to RMS or Peak Velocity
Supply Voltage:	15 to 30 VDC
Settling Time:	2 Second
Output Impedance:	Loop Resistance 600 Ohms Max @ 24VDC
Case Isolation:	>10 <sup>8</sup> Ohms at 500 Volts

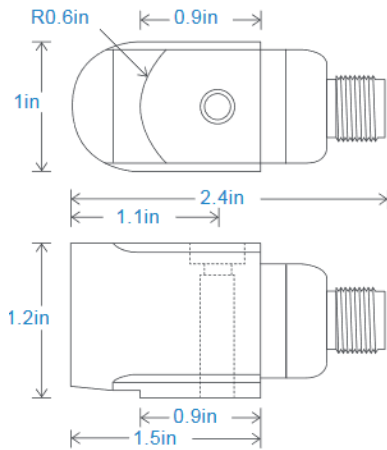
### Environmental

Operating Temperature Range:	-13 to +248 °F (-25 to +120 °C)
Sealing:	IP67
Maximum Shock:	5000 g

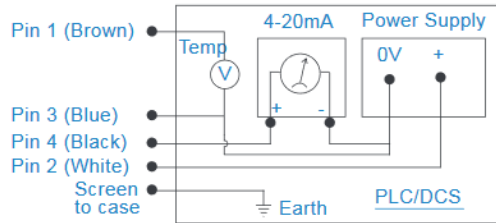
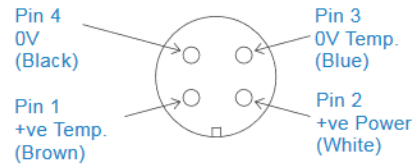
### Mechanical

Case Material:	Stainless Steel
Sensing Element:	PZT/Compression Type
Mounting Torque:	5.9 ft. lbs (8Nm)
Weight:	6.5 Oz (185g)
Mounting:	1/4"-28 Captive Bolt (Supplied with Sensor)
Mating Connector:	4 Pin M12 Connector

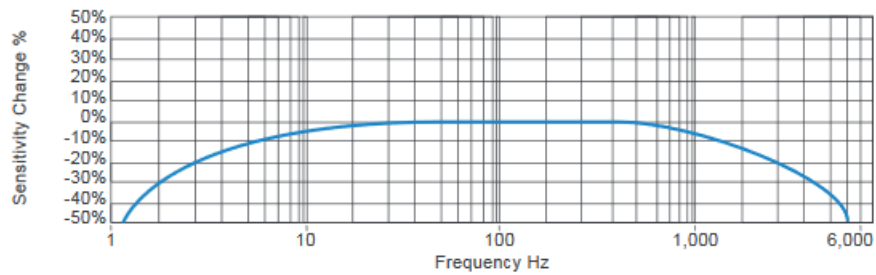
## Dimensions



## Connection Details



## Typical Frequency Response



## Ordering Information:

**CMCP422VTTs**   **-XX**   **-X**   **-XXX**  
                           -01  
                           -02  
                               -R  
                               -P  
                               **-M12**  
                               -I

## Description

1.00 In/Sec Full Scale (25.4 mm/s)  
 2.00 In/Sec Full Scale (50.8 mm/s)  
 RMS Detection  
 Peak Detection  
**M12 4 Pin Connector**  
 Integral Braided Armor Cable (5 Meters, Standard)

Other ranges available upon request.

## Similar Products:



**CMCP422VTS-XX-X-I**  
 Integral Armored Cable



**CMCP422VTS-XX-X-M12**  
 M12 Eurofast Connector