



CMCP460AT Triaxial 4-20 mA Output Acceleration Sensor



Features

- Side Exit, Triaxial Acceleration Sensor
- Three 4-20 mA Outputs (X, Y and Z)
- Interfaces Directly to Control Systems (PLC's)
- 248°F (120°C) Max Temperature Range
- Frequency Range 5 Hz to 5.0 kHz
- 1 Second Settling Time
- Stainless Steel Case
- 8 Pin M12 Eurofast Connector
- ¼"-28 UNF or M8x1.25 Captive Mounting Bolt
- Sealed to IP68

Typical Applications

Fans, Motors, Pumps, Compressors, Centrifuges, Conveyors, Air Handlers, Gearboxes, Rolls, Dryers, Presses, Cooling, HVAC, Spindles, Machine Tooling, Process Equipment and many more.

Technical Performance

Mounted Base Resonance:	17.0 kHz
Output:	4-20 mA (Per Axis)
Acceleration Ranges:	-05 Model: 0-5 g -10 Model: 0-10 g
Detection:	RMS or Peak
Frequency Range:	5 Hz to 5 kHz (600 to 300kcpm)
Isolation:	Base Isolated
Measurement Range:	±50 g
Transverse Sensitivity:	Less than 5%

Electrical

Current Output :	4-20 mA DC Proportional to Acceleration Range
Supply Voltage:	15-30 VDC (for 4-20 mA)
Settling Time:	1 Second
Output Impedance:	600 Ohms Max
Case Isolation :	>10 ⁸ Ohms at 500 Volt

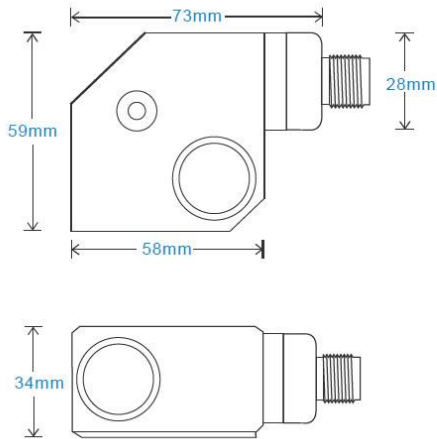
Environmental

Operating Temperature Range:	-67 to 248°F (-55 to 120°C)
Sealing:	IP68
Maximum Shock:	5000 g
Approvals:	CE Approved

Mechanical

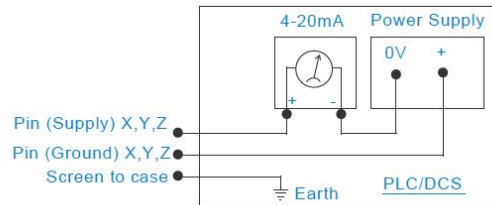
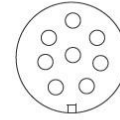
Case Material:	Stainless Steel
Sensing Element:	PZT/Shear
Mounting Torque:	5.9ft. lbs (8 Nm)
Weight:	10.8 Oz (306 gram)
Mounting:	1/4"-28 UNF or M8x1.25 Captive Mounting Bolt
Mating Connector:	8 Pin M12

Dimensions



Connection Details

- Pin 1 - Supply X
- Pin 2 - Ground X
- Pin 3 - no connection
- Pin 4 - Supply Y
- Pin 5 - Ground Y
- Pin 6 - no connection
- Pin 7 - Supply Z
- Pin 8 - Ground Z



Ordering Information

CMCP460AT	-X	-XX	4-20 mA Output Triaxial Acceleration Sensor
	-R		RMS-detection
	-P		Peak-detection
		-05	0-5 g Range
		-10	0-10 g Range
			¼-28 Mounting Bolt
		-M8	M8x1.25 Mounting Bolt

Example Part Id's:

CMCP460AT-R-05	4-20 mA Output Triaxial Acceleration Sensor, RMS-detection, 0-5 g Range, ¼-28 Mounting Bolt
CMCP460AT-P-10-M8	4-20 mA Output Triaxial Acceleration Sensor, Peak-detection 0-10 g Range, M8x1.25 Mounting Bolt

Recommended Cable Assemblies

M12 Cable Assembly, 8 Socket A-Coded, Black TPU Jacketed Cable (Rated to 120°C)	
CMCP608M-05	Straight Exit Connector, 5 m (16') Cable Length
CMCP608M-10	Straight Exit Connector, 10 m (32') Cable Length
CMCP608M-20	Straight Exit Connector, 20 m (64') Cable Length