



Condition Monitoring Custom Products

## CMCP700HT Extreme Temperature High Temperature Accelerometer



### Features:

- 480°F (250°C) Temperature Range
- External Charge Amplified
- 2Hz to 15 kHz Frequency Range
- 6 Standard Sensitivities
- Optional Side Exit Model
- Quick Fit Adapter for Easy Installation and Removal
- Sealed to IP67
- Braided Armor Cable Sensor Cable (Sensor to Charge Amp)
- High Temperature Silicone Charge Amp Cable

### Typical Applications

Fans, Motors, Pumps, Compressors, Centrifuges, Conveyors, Air Handlers, Gearboxes, Rolls, Dryers, Presses, Cooling, HVAC, Spindles, Machine Tooling, Process Equipment and many more.

### Technical Performance

Mounted Base Resonance: 28kHz (100mV/g Output Model)  
 Sensitivity (Base Resonance): 10mV/g (28kHz), 30mV/g (26kHz), 50mV/g (24kHz),  
 100mV/g (22kHz), 250mV/g (20kHz) and 500mV/g (18kHz)  
 Frequency Response: 2 Hz to 10 kHz ±5% (120 cpm to 600k cpm)  
 1.5 Hz to 12 kHz ±10% (90 cpm to 720k cpm)  
 0.8 Hz to 15 kHz ±3dB (48 cpm to 900k cpm)  
 Isolation: Base Isolated  
 Measurement Range: ±80 g  
 Transverse Sensitivity: Less than 5%

### Electrical

Electrical Noise: 0.1mg max  
 Current Range: 0.5mA to 8mA  
 Bias Voltage: 10-12 Vdc  
 Settling Time: 2 Seconds  
 Output Impedance: 200 Ohms max.  
 Case Isolation: >10<sup>8</sup> Ohms at 500 Volts

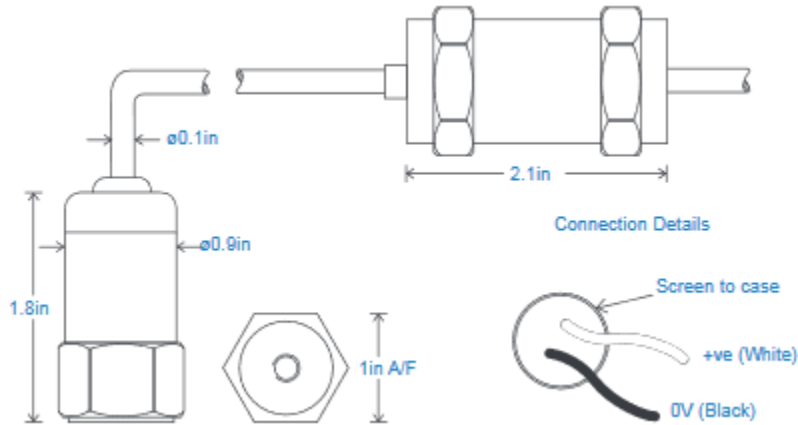
### Environmental

Operating Temperature Range: -67 to 480°F (-55 to 250°C)  
 Sealing: IP67  
 Maximum Shock: 5000 g  
 Approvals: CE Approved

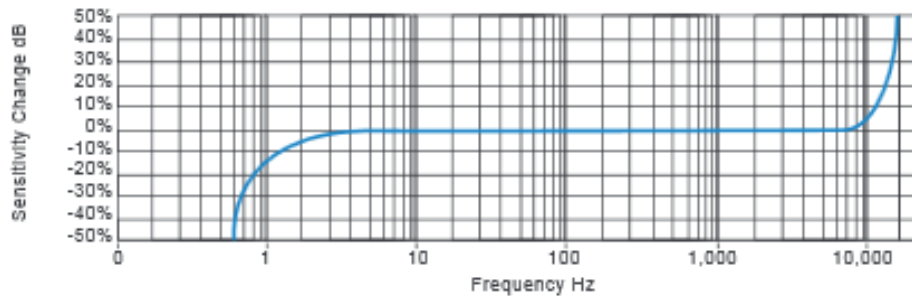
### Mechanical

Case Material: Stainless Steel  
 Sensing Element: PZT/Compression  
 Mounting Torque: 5.9ft. lbs (8Nm)  
 Weight: 4.4 Oz (139 grams)  
 Mounting: Quick Fit Adapter with ¼"-28 and M8 Mounting Studs  
 Mating Connector: Integral Cable with Flying Leads

## Dimensions



## Typical Frequency Response (at 100mV/g)



## Ordering Information:

CMCP700HT-XXX-XX General Purpose Accelerometer, Top Exit, 100mV/g with 2 Pin MS 5015

CMCP700HT	-XXX	-XXX	-XXX
-10			10mV/g Output from Charge Amp
-30			30mV/g Output from Charge Amp
-50			50mV/g Output from Charge Amp
-100			100mV/g Output from Charge Amp (Standard)
-250			250mV/g Output from Charge Amp
-500			500mV/g Output from Charge Amp
	-XXX		Cable Length in Meters from Sensor to Charge Amp Cable
		-XXX	Length in Meters Out of Charge Amp
		-2P	2 Pin MS 5015 Connector Output

Example: CMCP700HT-100-05-20

High Temperature Accelerometer  
 100mV/g Output  
 5 Meters of Cable Between Sensor and Charge Amp  
 20 Meters of Cable Out of Charge Amp