



Condition Monitoring Custom Products

## CMCP786A-N Negative Voltage Powered IEPE Accelerometer Top Entry, 3 Wire Bently Compatible



### Features:

- Negative IEPE Voltage Powered
- 100mV/g ±5%
- 140°C Max Temperature Range
- ±80g Dynamic Range
- 3 Pin MS 5015 Connector
- Sealed to IP68
- ¼-28 or M8x1.25 Mounting Stud

### Typical Applications

Fans, Motors, Pumps, Compressors, Centrifuges, Conveyors, Air Handlers, Gearboxes, Rolls, Dryers, Presses, Cooling, HVAC, Spindles, Machine Tooling, Process Equipment and many more.

### Technical Performance

Mounted Base Resonance:	22 kHz (nominal)
Sensitivity:	100mV/g ±5% Nominal 80Hz at 22°C
Frequency Response:	0.3 Hz to 10 kHz ±5% (18cpm to 600kcpm)
Isolation:	Base Isolated
Measurement Range:	±80 g
Transverse Sensitivity:	Less than 5%

### Electrical

Voltage Requirement:	-18 to -32 VDC
Electrical Noise:	<500ug
Current Range:	0.5mA to 8mA
Bias Voltage:	50% of Supply Voltage
Settling Time:	1 Second
Output Impedance:	200 Ohms max.
Case Isolation:	>10 <sup>8</sup> Ohms at 500 Volts

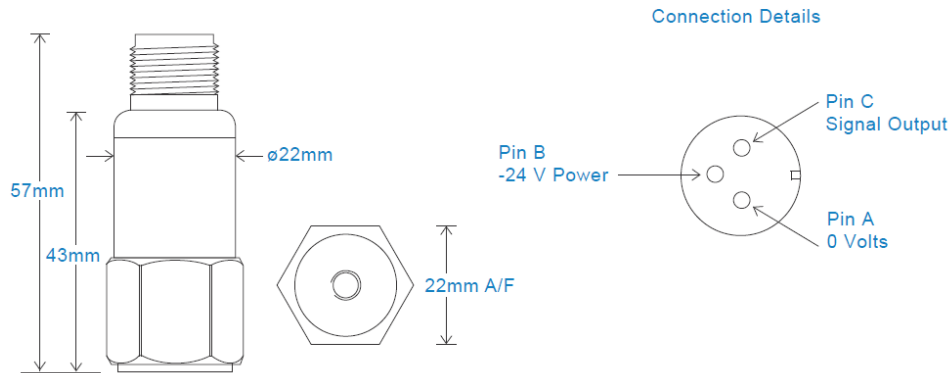
### Environmental

Operating Temperature Range:	-67 to 284 °F (-55 to 140°C)
Sealing:	IP68
Maximum Shock:	5000 g
Approvals:	CE Approved
Radiation Exposure Limit:	107 RADs for 10 Years

### Mechanical

Case Material:	Stainless Steel
Sensing Element:	PZT/Shear
Mounting Torque:	5.9ft. lbs (8Nm)
Weight:	4.9 Oz (139 grams)
Mounting:	1/4"-28 UNF Mounting Stud or M8x1.25
Mating Connector:	3 Pin MIL 5015 MS Connector

## Dimensions



### Ordering Information:

CMCP786A-N Negative Voltage Powered Accelerometer, Top Exit, 100mV/g, 1/4-28 UNF Mounting

### Recommended Cable Assemblies:

General Purpose TPE Jacketed Cable (Rated to 120°C)

- CMCP603L Series 3 Socket MS Connector, Locking Collar, IP68
- CMCP603LST Series 3 Socket MS Connector, Push On Seal Tight, IP68

High Temperature FEP Jacketed Cable (Rated to 200°C)

- CMCP603H Series 3 Socket MS Connector, Locking Collar, IP68
- CMCP603HST Series 3 Socket MS Connector, Push On Seal Tight, IP68

### Similar Products:



**CMCP786A-N-I**  
Integral Armored Cable



**CMCP785A-N**  
Side Entry, 3 Pin MS