



**CMCP786T**  
**Dual Output Top Entry Accelerometer with Temperature**  
**3 Pin MS 5015**



**Features**

- Dual Output Accelerometer with Temperature
- 100 mV/g  $\pm 10\%$  and 10 mV/ $^{\circ}\text{C}$
- 140 $^{\circ}\text{C}$  Max Temperature Range
- $\pm 80$  g Dynamic Range
- 3 Pin MS 5015 Connector
- Class 1 Division 2 Approved
- Class 1 Division 1 Approved with IS Barrier or Isolator
- 1/4"-28 UNF and M8x1.25 Mounting Studs Included
- Sealed to IP68



**Typical Applications**

Fans, Motors, Pumps, Compressors, Centrifuges, Conveyors, Air Handlers, Gearboxes, Rolls, Dryers, Presses, Cooling, HVAC, Spindles, Machine Tooling, Process Equipment and many more.

**Technical Performance**

Mounted Base Resonance: 30 kHz (nominal)  
 Sensitivity (Acceleration): 100 mV/g  $\pm 10\%$  Nominal 80 Hz at 22 $^{\circ}\text{C}$   
 Sensitivity (Temperature): 10 mV/ $^{\circ}\text{C}$  (0-100 $^{\circ}\text{C}$  Range)  
 Frequency Response: 2.0 Hz to 10 kHz  $\pm 5\%$  (120 cpm to 600 kcpm)  
 1.5 Hz to 12 kHz  $\pm 10\%$  (90 cpm to 720 kcpm)  
 0.8 Hz to 15 kHz  $\pm 3\text{dB}$  (48 cpm to 900 kcpm)

Isolation: Base Isolated  
 Measurement Range:  $\pm 80$  g  
 Transverse Sensitivity: Less than 5%

**Electrical**

Supply Voltage: 18-30 VDC  
 Current Range: 0.5 to 8 mA  
 Bias Voltage: 10-12 VDC  
 Electrical Noise: 0.1 mg Max.  
 Settling Time: 1.5 Second  
 Output Impedance: 200 Ohm Max.  
 Case Isolation:  $>10^8$  Ohm at 500 Volt

**Environmental**

Operating Temperature Range: -67 to 284 $^{\circ}\text{F}$  (-55 to 140 $^{\circ}\text{C}$ )  
 Sealing: IP68  
 Maximum Shock: 5000 g  
 Approvals: CE and UKCA Approved  
 CSA/UL Class 1 Division 2, Groups B, C and D

**Mechanical**

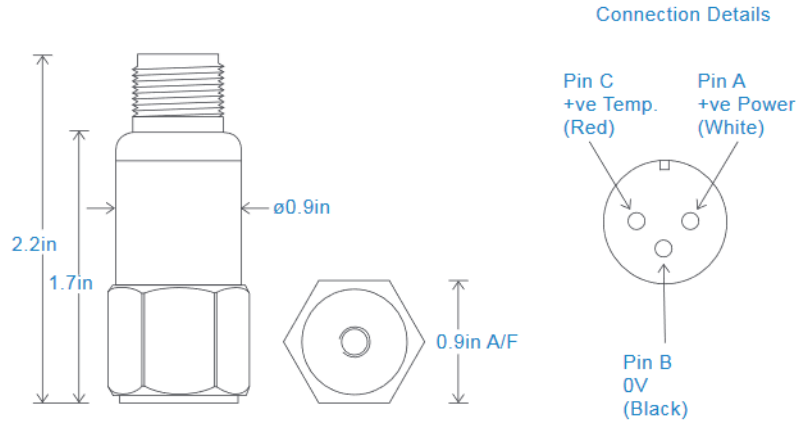
Case Material: Stainless Steel  
 Sensing Element/Construction: PZT/Compression  
 Mounting Torque: 5.9 ft-lbs (8 Nm)  
 Weight: 4.9 Oz (139 gram)  
 Mating Connector: 2 Pin MS 5015  
 Recommended Cable Assembly: CMCP603L or CMCP603H Series  
 Mounting Thread: 1/4"-28 UNF Female  
 1/4"-28 UNF and M8x1.25 Mounting Studs Provided

Condition Monitoring Custom Products

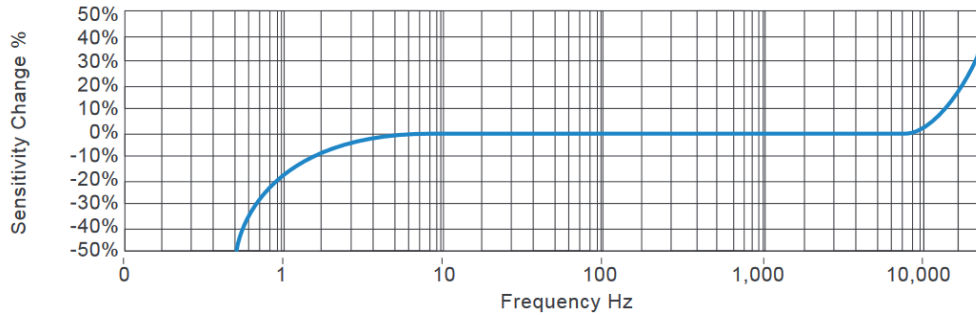
## Hazardous Location Ratings

Class I, II, III, Division 1 and 2, Groups A-G, T4, -55°C to +110°C IP65  
 Class 1, Zone 0, AEx, ia, IIC, T4, Ga, -55°C to +110°C  
 Zone 20, AEx, ia, IIIC, T130°C, IP65, Da, -55°C to +110°C  
 Class I, II, III, Division 1, 2, Groups A-G, T6, -55°C to +110°C  
 Zone 20, AEx, ia, IIIX, T80°C, IP65, DA, -55°C to +110°C

## Dimensions



## Frequency Response



## Ordering Information

CMCP786T Dual Output Accelerometer with Temperature, Top Entry 3 Pin MS Connector

## Alternative Sensitivity Ordering Information

Part Number	Sensitivity	Measurement Range	Base Resonance
CMCP786T-10	10 mV/g	±800 g	34 kHz
CMCP786T-30	30 mV/g	±250 g	33 kHz
CMCP786T-50	50 mV/g	±160 g	32 kHz
CMCP786T-250	250 mV/g	±32 g	28 kHz
CMCP786T-500	500 mV/g	±16 g	26 kHz

## Similar Products



**M12 Connector**  
CMCP786T-M12



**Submersible**  
CMCP786T-IP



**Integral Armored Cable**  
CMCP786T-I