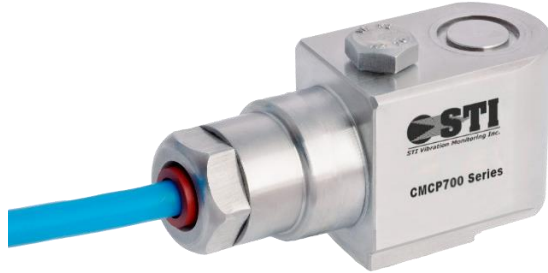




**CMCP787A-IP
Premium Side Entry Accelerometer, Submersible**



Features

- Precision Side Entry Accelerometer
- 100 mV/g ±5%
- 150°C Max Temperature Range
- ±80 g Dynamic Range
- Integral PUR Cable
- Class 1 Division 2 Approved
- Class 1 Division 1 Approved with IS Barrier or Isolator
- ¼"-28 UNF or M8x1.25 Captive Mounting Bolt
- Sealed to IP68

Typical Applications

Fans, Motors, Pumps, Compressors, Centrifuges, Conveyors, Air Handlers, Gearboxes, Rolls, Dryers, Presses, Cooling, HVAC, Spindles, Machine Tooling, Process Equipment and many more.

Technical Performance

Mounted Base Resonance:	21 kHz (nominal)
Sensitivity:	100 mV/g ±5% Nominal 80 Hz at 22°C
Frequency Response:	1.5 Hz to 10 kHz ±5% (90 cpm to 600 kcpm)
	0.5 Hz to 12 kHz ±10% (30 cpm to 780 kcpm)
	0.2 Hz to 15 kHz ±3dB (12 cpm to 900 kcpm)
Isolation:	Base Isolated
Measurement Range:	±80 g
Transverse Sensitivity:	Less than 5%

Electrical

Supply Voltage:	18-30 VDC
Current Range:	0.5 to 8 mA
Bias Voltage:	10-12 VDC
Electrical Noise:	0.1 mg Max.
Settling Time:	1 Second
Output Impedance:	200 Ohm Max.
Case Isolation:	>10 ⁸ Ohm at 500 Volt

Environmental

Operating Temperature Range:	-67 to 302°F (-55 to 150°C)
Sealing:	IP68
Submersible:	Up to 100 meter (10 bar)
Maximum Shock:	5000 g
Approvals:	CE and UKCA Approved CSA/UL Class 1 Division 2, Groups B, C and D

Mechanical

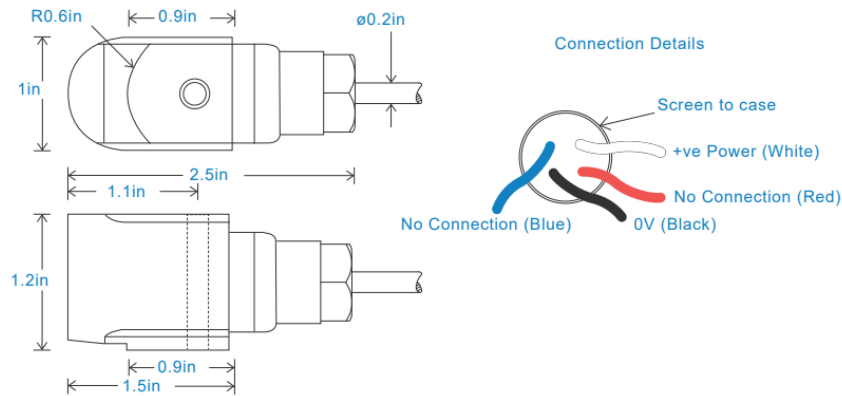
Case Material:	Stainless Steel
Cable Jacket:	PUR (Polyurethane)
Sensing Element/Construction:	PZT/Shear
Mounting Torque:	5.9 ft-lbs (8 Nm)
Weight:	6.5 Oz (185 gram), Sensor only
Mating Connector:	Flying Leads (Integral PUR Jacketed Cable)
Mounting Thread:	
CMCP787A-I:	1/4"-28 UNF Captive Bolt Supplied with Sensor
CMCP787A-I-M8:	M8x1.25 Captive Bolt Supplied with Sensor

Condition Monitoring Custom Products

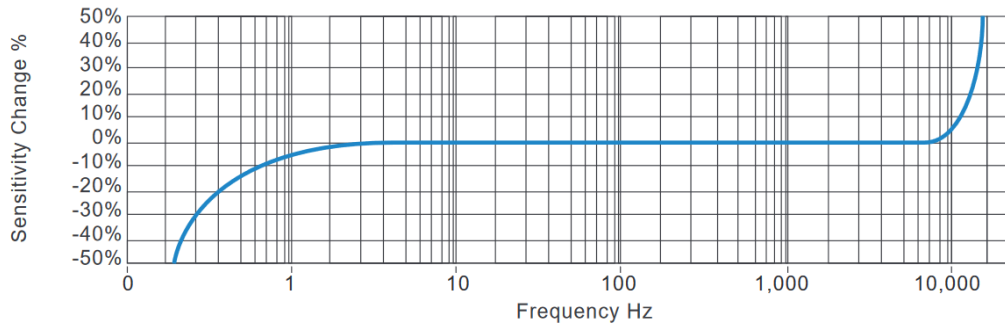
Hazardous Location Ratings

Class I, II, III, Division 1 and 2, Groups A-G, T4, -55°C to + 110°C IP65
 Class 1, Zone 0, AEx, ia, IIC, T4, Ga, -55°C to + 110°C
 Zone 20, AEx, ia, IIIC, T130°C, IP65, Da, -55°C to + 110°C
 Class I, II, III, Division 1, 2, Groups A-G, T6, -55°C to + 110°C
 Zone 20, AEx, ia, IIIX, T80°C, IP65, DA, -55°C to + 110°C

Dimensions



Frequency Response



Ordering Information

CMCP787A-IP Precision Side Entry Accelerometer, 100 mV/g, Armored Cable Length 5 Meter (16 ft), ¼-28 UNF Mount
 CMCP787A-IPXX Precision Side Entry Accelerometer, 100 mV/g, Armored Cable, ¼-28 UNF Mount
 CMCP787A-IPXX-M8 General Purpose Side Entry Accelerometer, 100 mV/g, Armored Cable, M8x1.25 Mount
Specify Cable Length in Meters in Place of XX (CMCP787A-I10 for 10-meter cable)

Alternative Sensitivity Ordering Information

Part Number	Sensitivity	Measurement Range	Base Resonance
CMCP787A-IPXX-10	10 mV/g	±800 g	27 kHz
CMCP787A-IPXX-30	30 mV/g	±250 g	25 kHz
CMCP787A-IPXX-50	50 mV/g	±160 g	23 kHz
CMCP787A-IPXX-250	250 mV/g	±32 g	19 kHz
CMCP787A-IPXX-500	500 mV/g	±16 g	17 kHz

Similar Products



M12 Connector
CMCP787A-M12



Integral Armored Cable
CMCP787A-I



MS Connector
CMCP787A