



CMCP801 Relative Probe Holder for Proximity Probes



Features:

- Meets API 670 External Mounting Specifications
- For Reverse Mount Probes
- IP66 Rated
- 316 Stainless Steel Stinger
- ±0.75" (±19mm) Adjustment Range
- Copper Free Cast Aluminum Housing
- Four 3/4" NPT Conduit Hubs
- Class 1 Division 1 Explosionproof Housing

Product Overview

The CMCP801 Proximity Probe Holder is designed for externally mounting reverse mount proximity probes as described and recommended by API670. External (through the case) mounting allows for easy removal, inspection and adjustment of the proximity probes gap voltage. The CMCP801 has a total adjustment range of ±0.75" (±19mm) for adjusting probe gap and the sleeve may be cut to the insertion depth required for each application. Insertion depth is determined by the location in which the probe is installed and is measured from the target surface to the outside of the mounting surface, considering the length of the probe tip. The adjustment range allows for slight deviations in measurements. For insertion depths greater than 12", it is recommended to install supports to prevent vibration. Proximity probes are not included with the CMCP801 but may be purchased separately.

Housing Specifications:

Material: Copper Free Aluminum with Screw Cover
 Conduit Inlets: Four (4) 3/4" NPT Hubs (Provided with 3 Plugs)
 Overall Diameter: 4.1" (104.1mm)
 Height: 4.0" (101.6mm)

Probe Holder (Stinger) Specifications:

Material: 316 Stainless Steel
 Internal Thread for Probe: 3/8-24 or 1/4-28 (With Adapter)
 Preferred Proximity Probe Type: Reverse Mount
 Machine Mounting Thread: 3/4" NPT
 Min./Max. Insertion Depth: 1.0" to 18.0" (25 to 457mm)
 Min./Max. Standoff Height: 1.5" to 4.5" (38 to 114mm)
 Insertion Range Adjustment: ±0.75" (±19mm) for Total Adjustment Range of 1.5" (38mm)
 (Based on Probe Tip Length of 0.6")
 Maximum Cable Diameter: 0.3" (7.6mm)

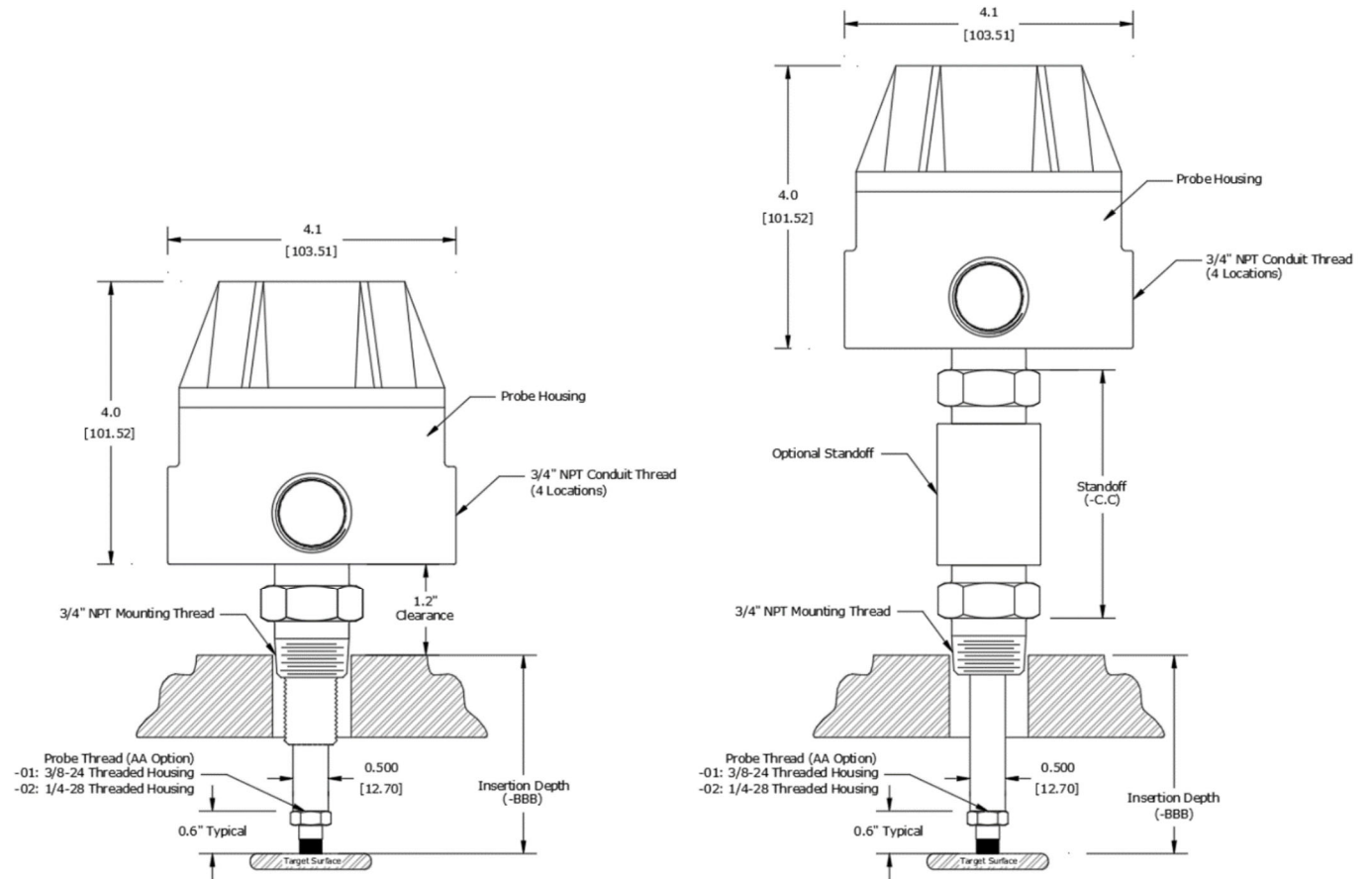
Environmental:

Housing Approvals: Class I Div I, Groups A, B, C and D
 Class 1 Div II, Groups E, F and G
 Class III
 IP Rating: IP66
 NEMA Rating: NEMA 3, 4

Ordering Information

CMCP801	-AA	-BBB	-C.C	Description
	-01			For 3/8-24 Threaded Reverse Mount Probes
	-02			For 1/4-28 Threaded Reverse Mount Probes
		-120		Standard 12.0" (304mm) Insertion Depth
		-Specify		Specify Insertion Depth in 0.1" Increments (2.6" = 026)
			-00	No Standoff
			-Specify	Specify Standoff Height in 0.5" Increments (3.5" = 3.5)

Dimensions:



Stinger Assembly

CMCP801 Stinger Part Diagram

