

CMCP801QD

Quick Disconnect Relative Probe Holder for Proximity Probes



Features:

- Meets API 670 External Mounting Specifications
- Quick Disconnect Coupling
- Removal without Re-Gapping
- Fits 4 Probe Sizes
- IP66 Rated, NEMA 4 Raintight
- 316 Stainless Steel Probe Holder
- Explosionproof Cast Aluminum Housing
- Four 3/4" NPT Conduit Hubs

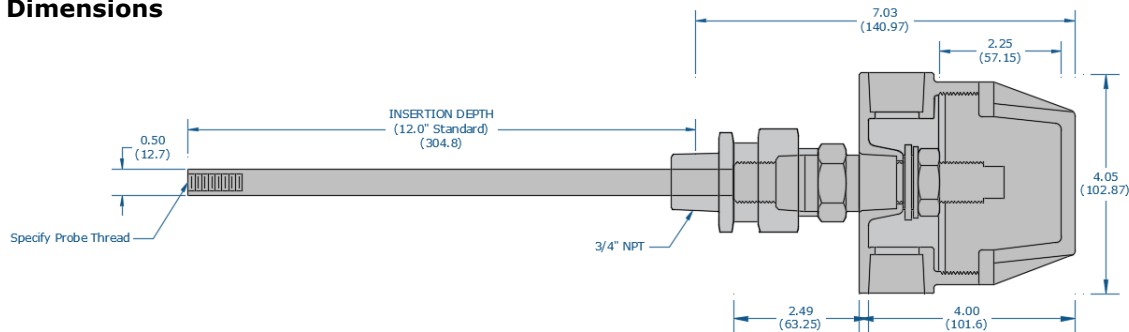
Product Overview

The CMCP801QD Quick Disconnect Proximity Probe Holder is designed for externally mounting proximity probes as described and recommended by API670. External (through the case) mounting allows for easy removal, inspection and adjustment of the proximity probes gap voltage. The CMCP801QD comes with a standard insertion length of 12" (304.8mm) and has an adjustment range of 1.0" (25.4mm). The Quick Disconnect coupling allows the probe to be removed without having to re-gap the probe, making it easy to troubleshoot the proximity probe system and quickly perform routine calibration checks.

Specifications

Housing:	Cast Aluminum
Probe Holder:	316 Stainless Steel
Mounting Thread:	3/4" NPT
Conduit Inlets:	Four 3/4" NPT Hubs (Provided with Three Plugs)
Approvals:	Explosionproof Class 1 Division 1 Approved Housing
Adjustment Range:	±1" (±25.4mm)
Probe Sizes:	1/4"-28, 3/8"-24, M6x1 or M8.1.25 (See Ordering Information)
Approvals:	Class I Division I Approved
IP Rating:	IP66 Raintight
NEMA Rating:	NEMA 3, 4

Dimensions



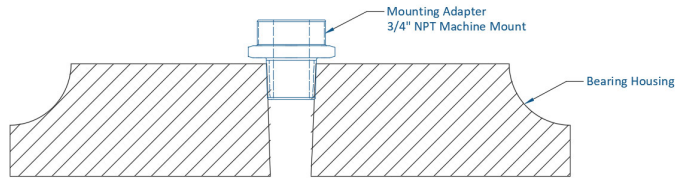
Ordering Information

CMCP801QD	-XX	-XXX	Description
	-01		For 3/8"-24 UNF Threaded Probes
	-02		For 1/4"-28 UNF Threaded Probes
	-M6		For M6x1.0 Threaded Probes
	-M8		For M8x.125 Threaded Probes
		-120	12.0" (304.8mm) Insertion Depth
		-SPECIFY	Specify Insertion Depth in Increments of 0.1"
			Example: -060 = 6.0"

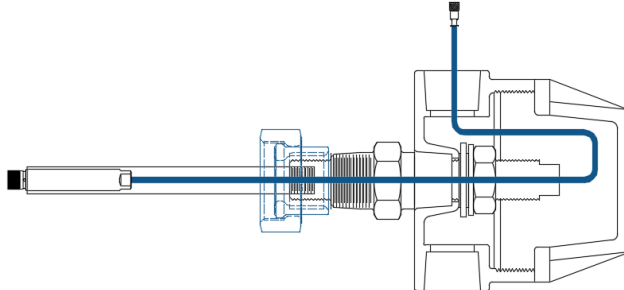
Note: To Calculate the Insertion Depth, Measure the Distance from the Shaft to the Outside of the Bearing Housing.

Installation

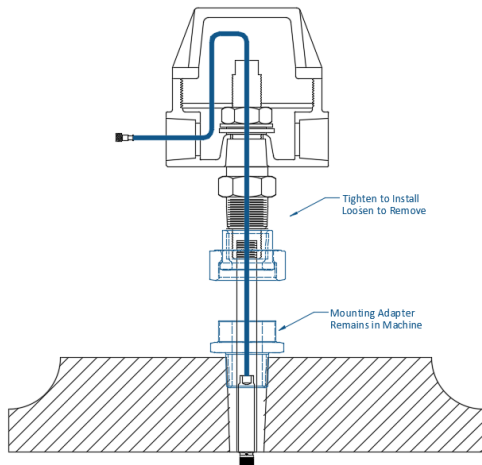
1. Drill and tap the bearing block for 3/4" NPT.
2. Install the mounting adapter into the bearing block using the 3/4" NPT threads.



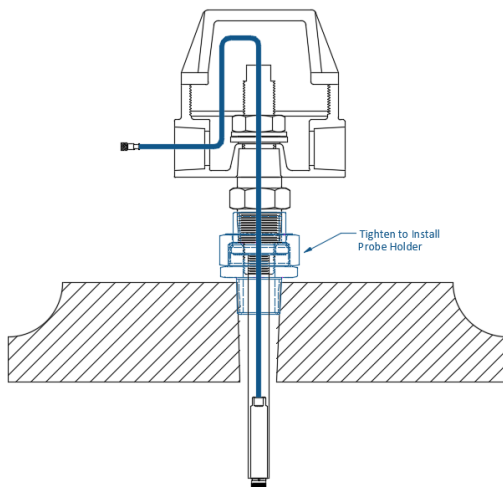
3. Verify the insertion depth needed, trim to length if required.
4. Install the proximity probe into the sleeve by threading the probe cable through the probe sleeve.



5. Slide the coupling nut onto the probe holder assembly.
6. Thread the adapter onto the probe holder assembly.
7. Slide the probe sleeve into the mounting adapter.

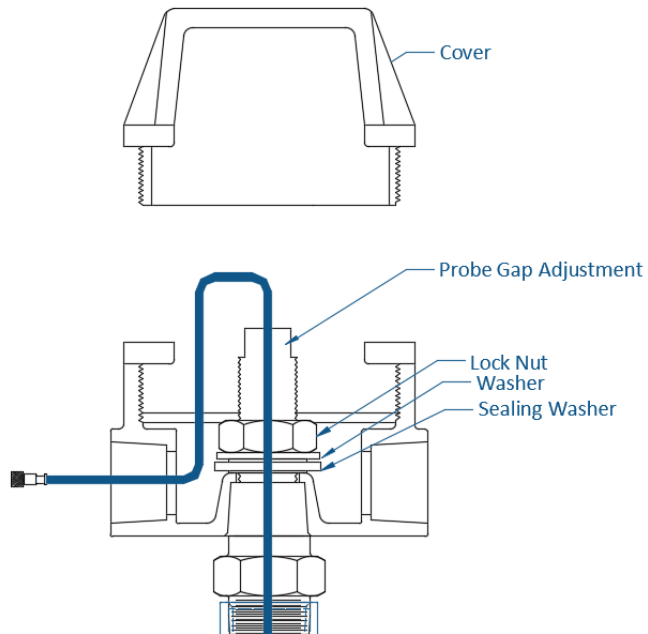


8. Tighten the adapter to secure the probe holder.
Apply a back wrench to the gland body flats to prevent rotation during torquing.
Conduit can be connected to any of the four 3/4" NPT outlets on the housing.



Probe Gap Adjustment

1. Remove the housing cover.
2. Loosen the internal lock nut using a 1 1/8" crow foot wrench.
3. Adjust probe gap by rotating sleeve with a 9/16 wrench.
 - >Clockwise will bring the probe towards the shaft (lower gap voltage)
 - <Counter-Clockwise will bring probe closer to shaft (increase gap voltage).



4. Once probe gap is set, tighten lock nut, verify gap voltage and replace cover.
5. The probe holder is now ready for use.