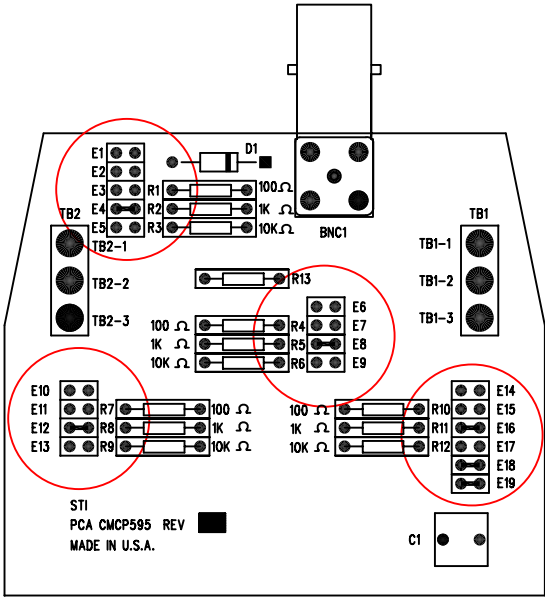
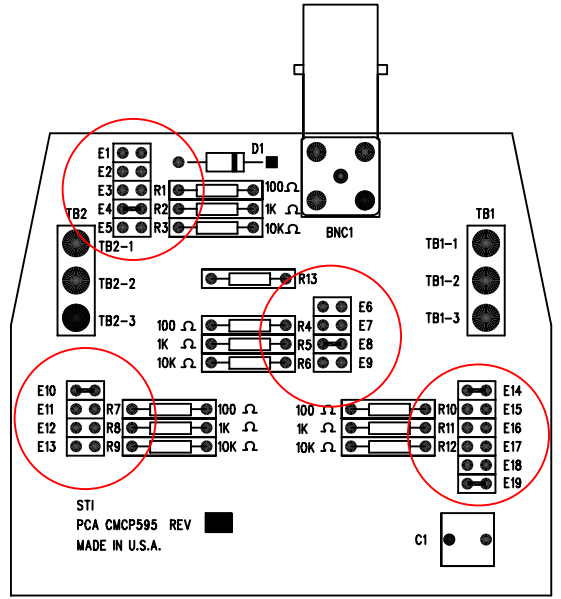


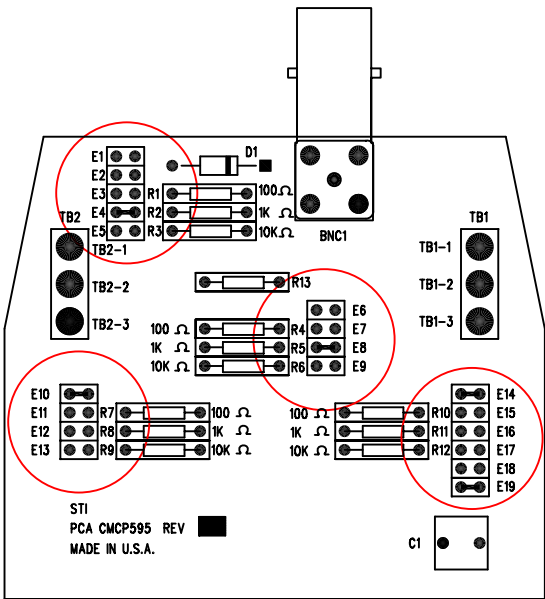
Buffer Input Module w/4-Buffered Outputs



Key Phasor Module (Eddy Probe) w/2-Buffered Outputs
Key Phasor Module (CMCP240) w/2-Buffered Outputs



3-Wire Sensor Interface w/2-Buffered Outputs



Accelerometer Power Module w/3-Buffered Outputs

